



TYPICAL

GT6430DAT-01/C
GT6430DAT-02/C
GT6438DAT/C

电子打结机
ELECTRONIC KNOT
TYING MACHINE

说明书
INSTRUCTION BOOK

零件手册
PARTS CATALOGUE

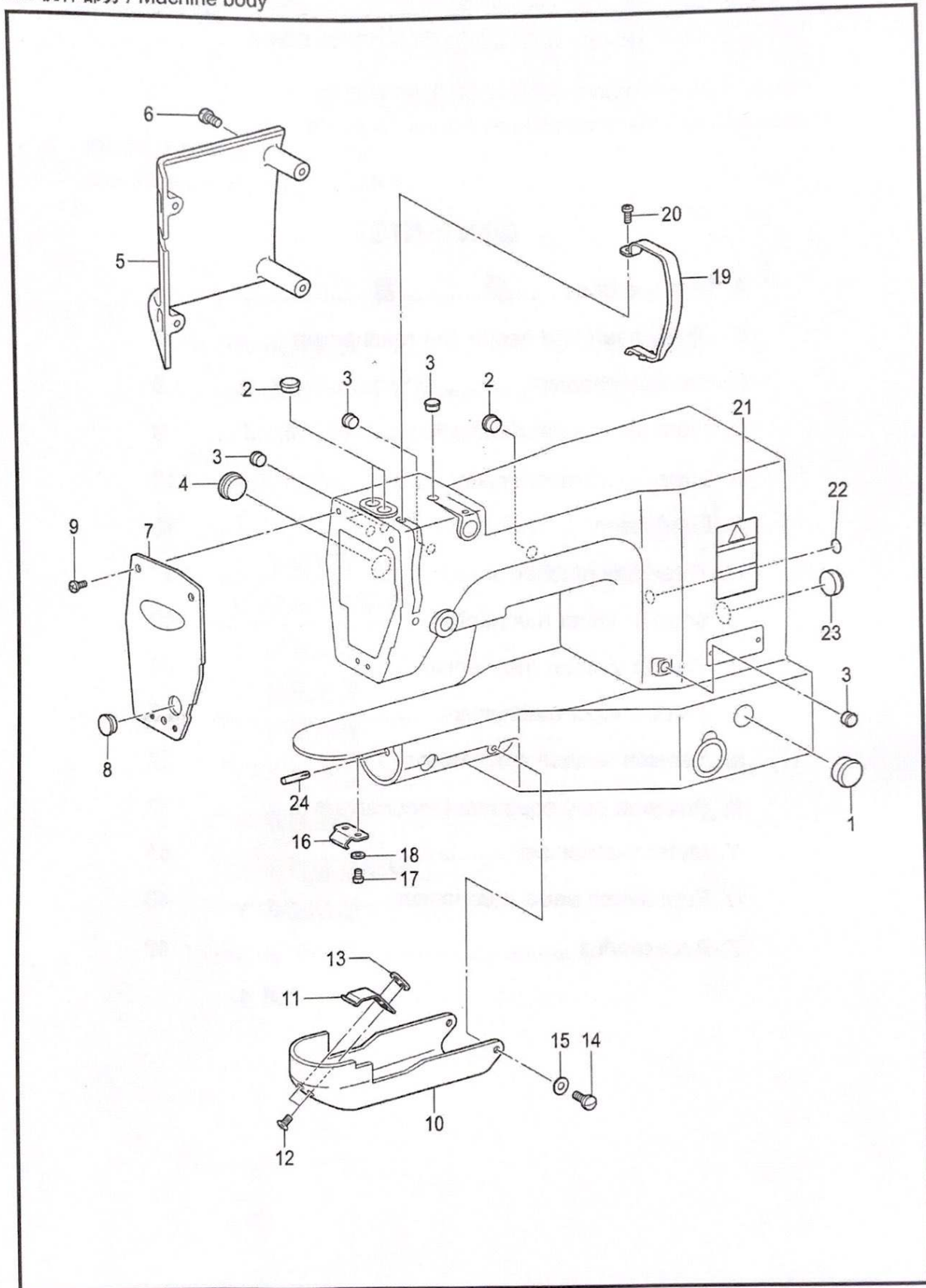
Notes for using this parts book

1. Parts are subject to changes in design without prior notice.
2. Parts supplied as complete assemblies are circled by a dotted line.

CONTENTS

A. Machine body	1
B. Upper shaft and needle bar mechanism	3
C. Feed mechanism	5
D. Work clamp lifter mechanism	9
F. Lower shaft mechanism	13
G. Lubrication	15
H. Threading mechanism	17
J. Bobbin winder mechanism	19
K. Thread trimmer mechanism	21
L. Thread wiper mechanism	25
M. Tension release mechanism	27
R. Power supply equipment mechanism	37
T. Motor mechanism	41
U. Foot switch pedal mechanism	43
Z. Accessories	49

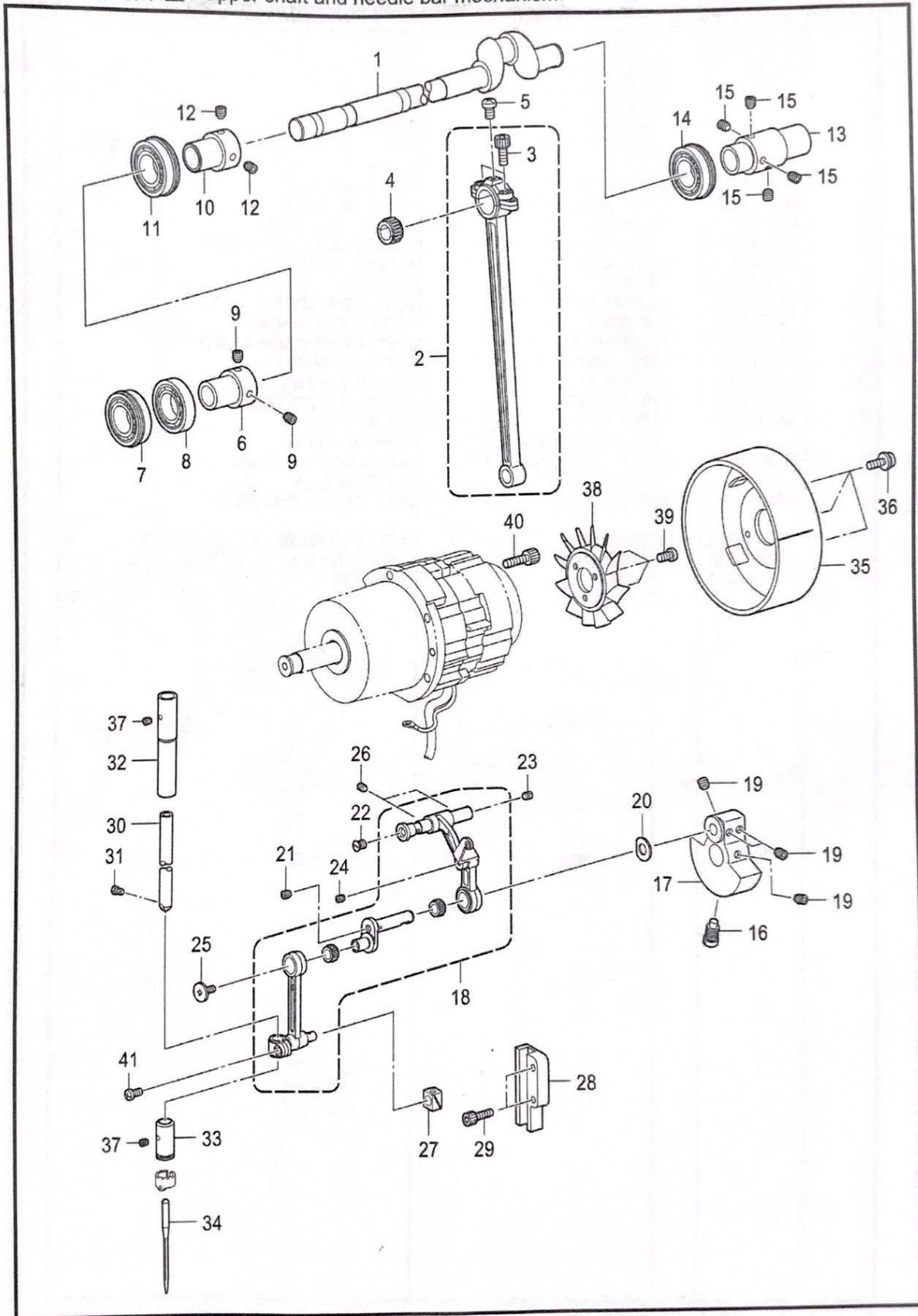
A. 机体部分 / Machine body



A. 机体部分 / Machine body

参照号	零部件序号	数量	零部件名称	NAME OF PARTS	RM
1	140392009	1	油盖	OIL CAP	
2	117934001	3	橡皮塞 13.5	RUBBER CAP, 13.5	
3	104821001	5	橡皮塞 10.5	RUBBER CAP, 10.5	
4	140392009	1	油盖	OIL CAP	
5	SA3260001	1	侧面盖板	FRAME SIDE COVER	
6	062061016	4	螺钉 M6X10	SCREW, PAN M6X10	
7	SA3199001	1	主面板	FACE PLATE	
8	104449001	1	橡皮塞 15.5	RUBBER CAP, 15.5	
9	062501016	3	螺钉 M5X10	SCREW, PAN M5X10	
10	SA3262101	1	大旋梭盖	SHUTTLE RACE COVER	
11	SA3263001	1	大旋梭盖钩 D	SHUTTLE RACE COVER HOOK D	
12	004300513	2	螺钉 M3X5	SCREW, FLAT M3X5	
13	SA3264001	1	板螺母	NUT PLATE	
14	SA3265001	2	段螺钉 8-2	SHOULDER SCREW,8-2	
15	109239002	2	弹簧垫圈	WASHER, WAVE SPRING	
16	SA3266001	1	大旋梭盖钩 U	SHUTTLE RACE COVER HOOK U	
17	062300416	2	螺钉 M3X4	SCREW, PAN M3X4	
18	025030236	2	平垫圈 M3	WASHER, PLAIN M 3	
19	SA3200101	1	挑线杆防护罩	THREAD TAKE-UP COVER	
20	062401006	1	螺钉 M4X10	SCREW, PAN M4X10	
21	SA2040001	1	<用于中国以外> 操作注意标签(日/英)	<Except for China> LABEL, CAUTION JPN/ENG	
21	SA2041001	1	<用于中国> 操作注意标签(中/英)	<For China Only> LABEL, CAUTION CHN/ENG	
22	S37060001	1	接地标记	LABEL, GROUNDING	
23	S28044001	1	橡皮塞 20.8	RUBBER CAP, 20.8	
24	117608001	1	开口销	DOWEL PIN	

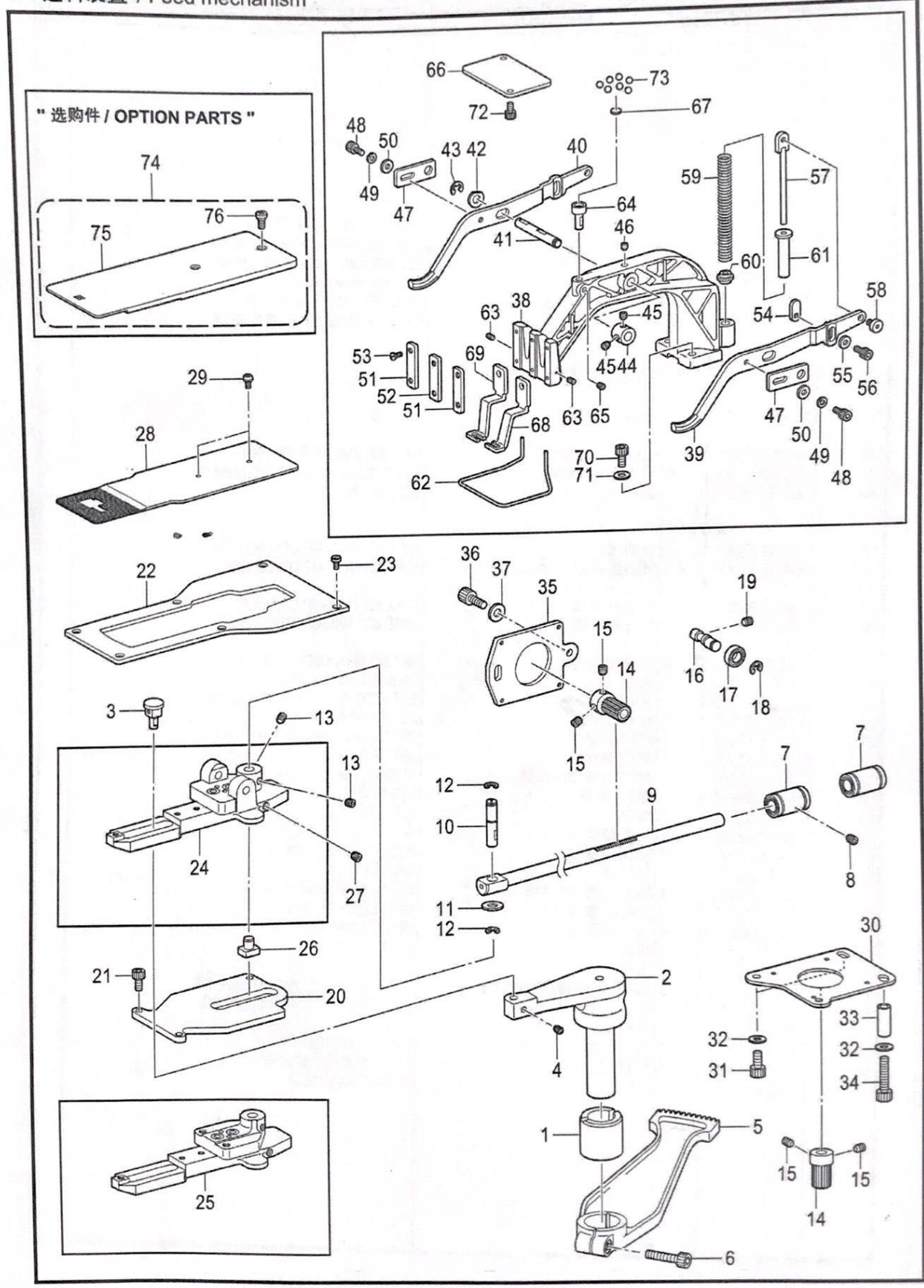
B. 上轴·针杆装置 / Upper shaft and needle bar mechanism



B. 上轴 · 针杆装置 / Upper shaft and needle bar mechanism

参照号	零部件序号	数量	零部件名称	NAME OF PARTS	RM
1	SA3201001	1	上轴	UPPER SHUFT	
2	SA3499001	1	曲柄轴组件	CRANK ROD ASSY	
3	018501636	2	螺栓 M5X16	BOLT, SOCKET M5X16	
4	SA4172001	1	滚针轴承	NEEDLE BEARING	
4	SA4173001	1	滚针轴承	NEEDLE BEARING	
4	SA4174001	1	滚针轴承	NEEDLE BEARING	
4	SA4175001	1	滚针轴承	NEEDLE BEARING	
5	062300416	1	螺钉 M3X4	SCREW, PAN M3X4	
6	SA3206001	1	轴承套	BALL BEARING BUSH	
7	SA4179001	1	轴承 6904DDUNR	BALL BEARINH,6904DDUNR	
8	SA4180001	1	轴承 R-6904DDU	BALL BEARING, RADIAL 6904DDU	
9	S23651001	2	固定螺钉 M6X6	SET SCREW, SOCKET (FT) M6X6	
10	SA3206001	1	轴承套	BALL BEARING BUSH	
11	SA4177001	1	轴承 6004DDUNR	BALL BEARING, 6004DDUNR	
12	S23651001	2	固定螺钉 M6X6	SET SCREW, SOCKET (FT) M6X6	
13	SA3210001	1	管接头 A	JOINT,A	
13	SA3589001	1	管接头 B	JOINT,B	
14	SA4178001	1	轴承 6204DDUNR	BALL BEARING 6204DDUNR	
15	S23651001	4	固定螺钉 M6X6	SET SCREW, SOCKET (FT) M6X6	
16	S25235001	1	螺钉 M8	SCREW, M8	
17	SA3497001	1	曲柄 C	THREAD TAKE-UP CRANK,C	
18	SA6563001	1	针杆连杆组件 A	THREAD TAKE-UP LEVER,A SET	
17	SA3591001	1	平衡曲柄 B	THREAD TAKE-UP CRANK,B	
18	SA4327001	1	针杆连杆组件 B	THREAD TAKE-UP REVER,B SET	
19	S23651001	4	固定螺钉 M6X6	SET SCREW, SOCKET (FT) M6X6	
20	110367001	1	垫圈 8	WASHER, PLAIN SPECIAL 8	
21	012300336	1	螺钉 M3X3	SET SCREW, SOCKET (FT) M3X3	
22	SA2958001	1	螺钉 M5X6	SCREW, FLAT M5X6	
23	012500536	1	螺钉 M5X5	SET SCREW, SOCKET (FT) M5X5	
24	012300336	1	螺钉 M3X3	SET SCREW, SOCKET (FT) M3X3	
25	145465001	1	螺钉 SM3. 57-40X6L	SCREW, SM3.57-40X6 L	
26	012060636	2	螺钉 M6X6	SET SCREW, SOCKET (FT) M6X6	
27	SA3488001	1	滑块	SLIDE BLOCK	
28	SA3528001	1	滑块导向 B	SLIDE BLOCK GUIDE	
29	018401636	2	螺栓 M4X16	BOLT, SOCKET M4X16	
30	SA3222001	1	针杆 A	NEEDLE BAR,A	
31	144458001	1	螺钉 SM3. 57-40X4. 5	SET SCREW, SM3.57-40X4.5	
32	SA3223001	1	针杆轴套 U	NEEDLE BAR BUSH,U	
33	SA3224001	1	针杆轴套 D	NEEDLE BAR BUSH,D	
34	* P. 54	1	机针	NEEDLE	
35	SA3225101	1	上轮	PULLEY	
36	SA3025001	3	螺栓(带垫圈) M4X10DA	SCREW,PAN(S/P WASHER)M4X10	
37	012500536	2	螺钉 M5X5	SET SCREW, SOCKET (FT) M5X5	
38	S38713100	1	叶轮	FAN	
39	062400806	3	螺钉 M4X8	SCREW, PAN M4X8	
40	018501636	4	螺栓 M5X16	BOLT, SOCKET M5X16	
41	062400816	1	螺钉 M4X8	SCREW,PAN M4X8	

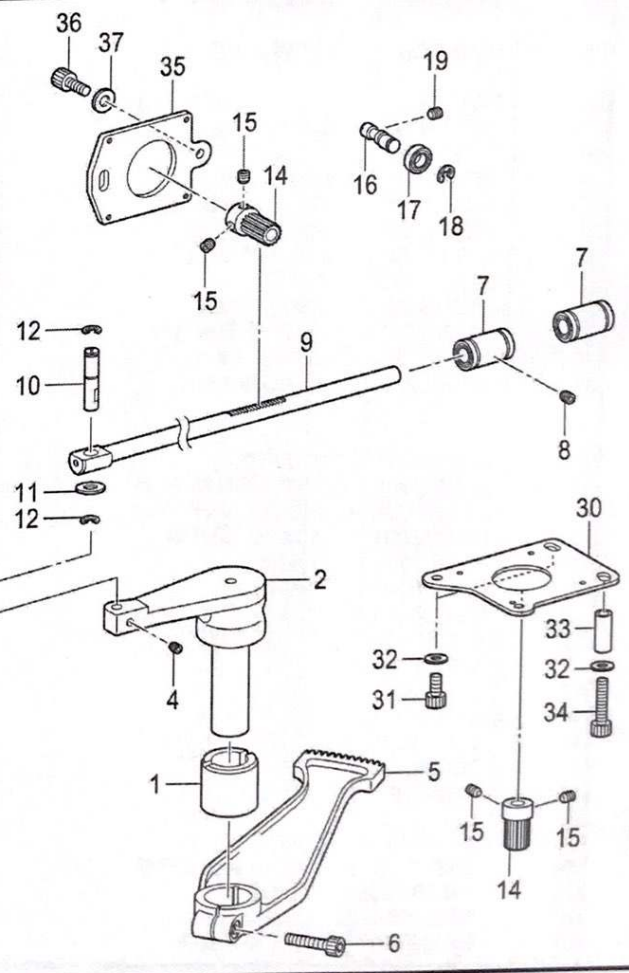
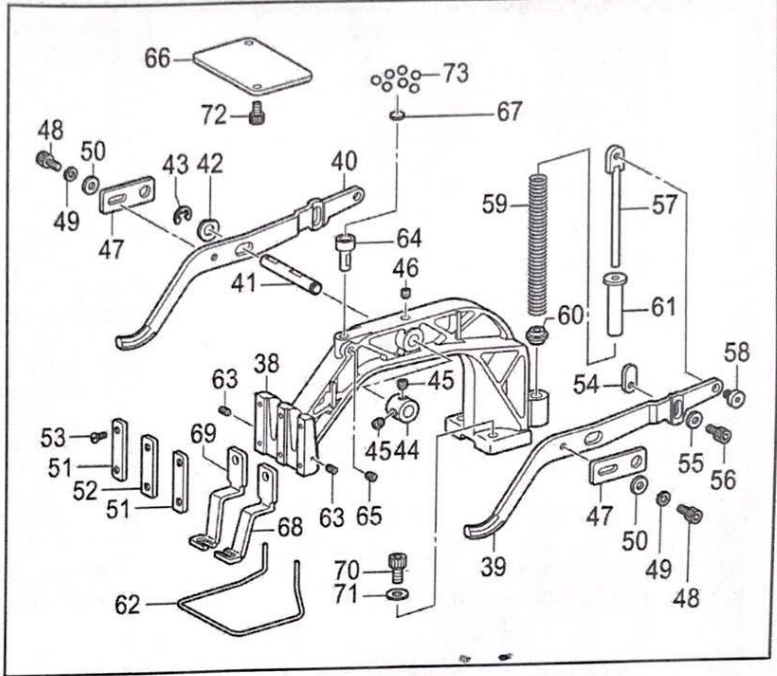
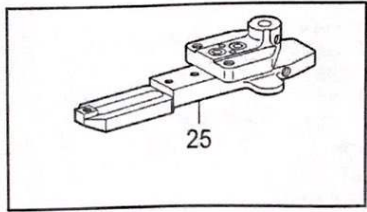
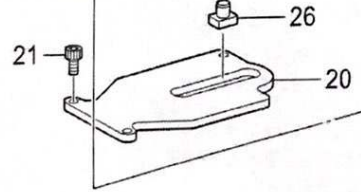
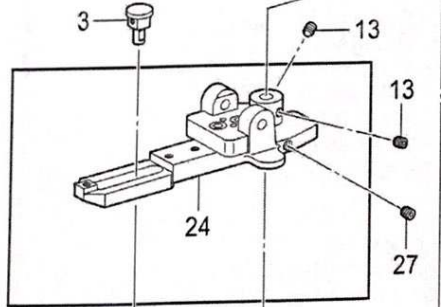
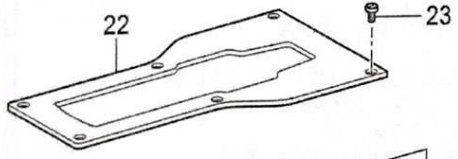
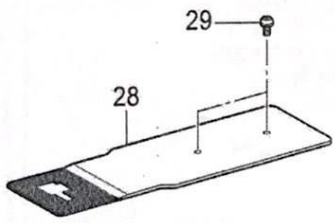
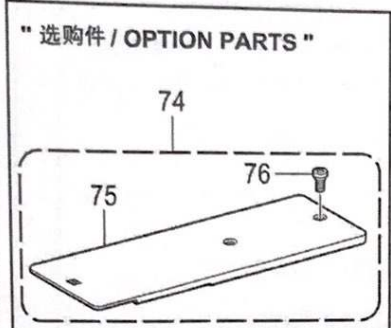
C. 送料装置 / Feed mechanism



C. 送料装置 / Feed mechanism

参照号	零部件序号	数量	零部件名称	NAME OF PARTS	RM
1	SA3363001	1	送料杆轴套 (X)	X-FEED LEVER BUSH	
2	SA3364001	1	送料杆 (X)	X-FEED LEVER	
3	SA3533001	1	送料杆滑块组件 (X)	T-LENGTH REGURATOR BLOCK ASSY	
4	012500536	1	螺钉 M5X5	SET SCREW, SOCKET (FT) M5X5	
5	SA3366001	1	送料齿轮 (X)	X-FEED GEAR	
6	018063036	1	螺栓 M6X30	BOLT, SOCKET M6X30	
7	XC5780001	2	轴向轴承 10	BEARING 10 ,LINER	
8	012060636	2	螺钉 M6X6	SET SCREW, SOCKET (FT) M6X6	
9	SA3367001	1	齿条轴 (Y)	Y-FEED RACK SHAFT	
10	SA3368001	1	轴销 (Y)	Y-CONNECTING PIN	
11	153113001	1	垫圈	THRUST WASHER	
12	048060342	2	挡圈 E6	RETAINING RING, E6	
13	012060636	2	螺钉 M6X6	SET SCREW, SOCKET (FT) M6X6	
14	SA4197001	2	送料齿轮	FEED GEAR	
15	012060636	4	螺钉 M6X6	SET SCREW, SOCKET (FT) M6X6	
16	SA3370001	1	偏心轴	ECCENTRIC SHAFT	
17	070608800	2	R球轴承 608ZZ	BALL BEARING, ARDIAL 608ZZ	
18	048080142	1	轴用挡圈 C8	RETAINING RING, EXTERNAL C8	
19	012060636	1	螺钉 M6X6	SET SCREW, SOCKET (FT) M6X6	
20	SA3371001	1	送料台支板	FEED BAR SUPPORT PLATE	
21	018401036	3	螺栓 M4X10	BOLT, SOCKET M4X10	
22	SA3372001	1	送料台盖板	FEED BAR COVER	
23	SA3538001	6	螺钉 M4X8	SCREW,M4X8	
24	SA3604001	1	送料台小组件 B	FEED BAR SUB ASSY B	
25	SA3373001	1	送料台小组件 A	FEED BAR SUB ASSY A	
26	SA3534001	1	送料滑块组件 (Y)	T-WIDTH REGURATOR BROCK ASSY	
27	012060636	1	螺钉 M6X6	SET SCREW, SOCKET (FT) M6X6	
28	* P. 54	1	送料板	FEED PLATE	
29	153057101	2	螺钉 SM4.37	SCREW, ROUND W/SOCKET SM4.37	
30	SA3381001	1	马达安装板 (X)	X-MOTOR SETTING PLATE	
31	018061236	2	螺栓 M6X12	BOLT, SOCKET M6X12	
32	025060236	3	平垫圈 M6	WASHER, PLAIN M 6	
33	SA3708001	1	套筒	COLLAR	
34	018063536	1	螺栓 M6X35	BOLT, SOCKET M6X35	
35	SA3382001	1	马达安装板 (Y)	Y-MOTOR SETTING PLATE	
36	018061236	2	螺栓 M6X12	BOLT, SOCKET M6X12	
37	025060236	2	平垫圈 M6	WASHER, PLAIN M 6	
38	SA3419001	1	压脚臂	WORK CLAMP ARM	
39	SA3420001	1	QC压脚臂杆 R	WORK CLAMP ARM LEVER,R	
40	SA3421001	1	QC压脚臂杆 L	WORK CLAMP ARM LEVER,L	
41	SA3422001	1	QC压脚臂杆轴	WORK CLAMP ARM LEVER SHAFT	
42	110367001	1	垫圈 8	WASHER, PLAIN SPECIAL 8	
43	048060346	1	挡圈 E6	RETAINING RING, E6	
44	SA3231001	1	紧圈 B	SET SCREW COLLAR,B	
45	012060536	2	螺钉 M6X5	SET SCREW, SOCKET (FT) M6X5	
46	012500536	1	螺钉 M5X5	SET SCREW, SOCKET (FT) M5X5	
47	SA3423001	2	QC杆轴支架	WORK CLAMP LEVER SUPPORT	
48	018500836	2	螺栓 M5X8	BOLT, SOCKET M5X8	
49	028050246	2	弹簧垫圈 2-5	WASHER, SPRING 2-5	
50	025050236	2	平垫圈 M5	WASHER, PLAIN M 5	
51	SA3424001	2	压脚压板 A	WORK CLAMP GUIDE BRACKET,A	
52	SA3425001	1	压脚压板 B	WORK CLAMP GUIDE BRACKET,B	
53	SA3426001	6	螺钉 M3.5	SCREW,FLAT M3.5	
54	SA3208201	2	压脚高度调节板	WORK CLAMP ARM LEVER PLATE	
55	146354002	2	垫圈 5	WASHER, PLAIN 5	
56	018500836	2	螺栓 M5X8	BOLT, SOCKET M5X8	
57	SA3427101	2	弹簧导向杆	SPRING GUIDE ROD	

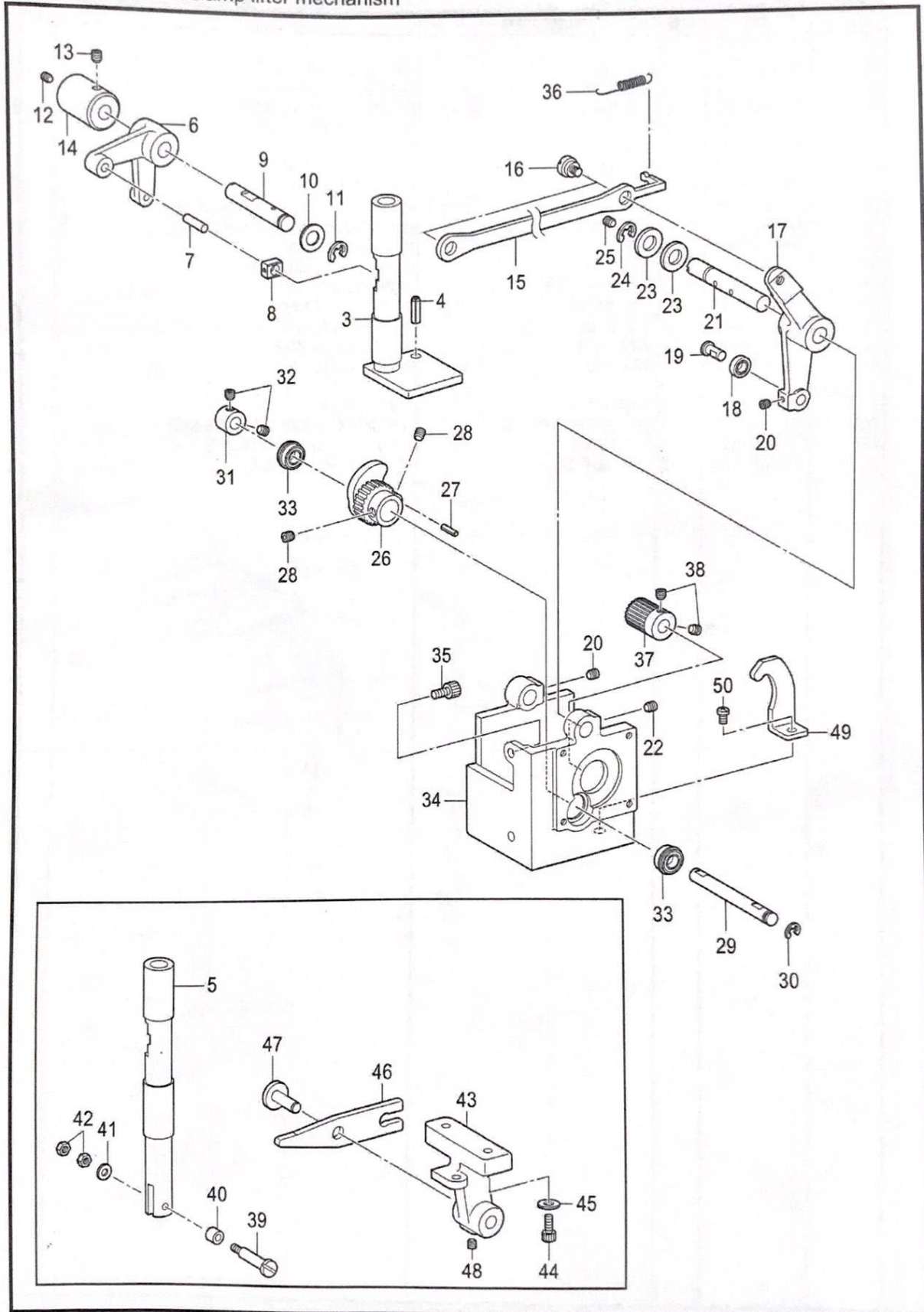
C. 送料装置 / Feed mechanism



C. 送料装置 / Feed mechanism

参照号	零部件序号	数量	零部件名称	NAME OF PARTS	RM
58	SA1179002	2	螺钉 M5	SHOULDER SCREW, M5	
59	153568001	2	弹簧 A	PRESSER SPRING, A	
60	152788000	2	弹簧座圈	PRESSER SPRING SPACER	
61	153567000	2	弹簧导柱	PRESSER SPRING COLLAR	
62	SA4130001	1	护指器	FINGER GUARD	
63	SA2626001	2	螺钉 M3.5	SET SCREW, (CP) M3.5	
64	SA3428001	1	压脚臂短轴	SUPPORT SHAFT,W-CLAMP	
65	012500536	1	螺钉 M5X5	SET SCREW, SOCKET (FT) M5X5	
66	SA3487001	1	压脚臂支板	WORK CLAMP ARM SUPPORT PLATE	
67	SA4145001	1	垫片	SPACER,W-CLAMP	
68	* P. 54	1	压脚 R	WORK CLAMP, RIGHT	
69	* P. 54	1	压脚 L	WORK CLAMP, LEFT	
70	018061636	2	螺栓 M6X16	BOLT, SOCKET M6X16	
71	025060236	2	平垫圈 M6	WASHER, PLAIN M 6	
72	018400836	2	螺栓 M4X8	BOLT, SOCKET M4X8	
73	071031840	7	钢球 1/8	BEARING BALL, 1/8	
			<选购件>	<Option parts>	
74	SA4198001	1	原点基准板组件	H-POSITION STSNDARD PLATE,ASSY	
75	S42903001	1	原点基准板	H-POSITION STSNDARD PLATE	
76	S49955101	2	螺钉 SM4.37	SCREW,W/SOCKET SM4.37	

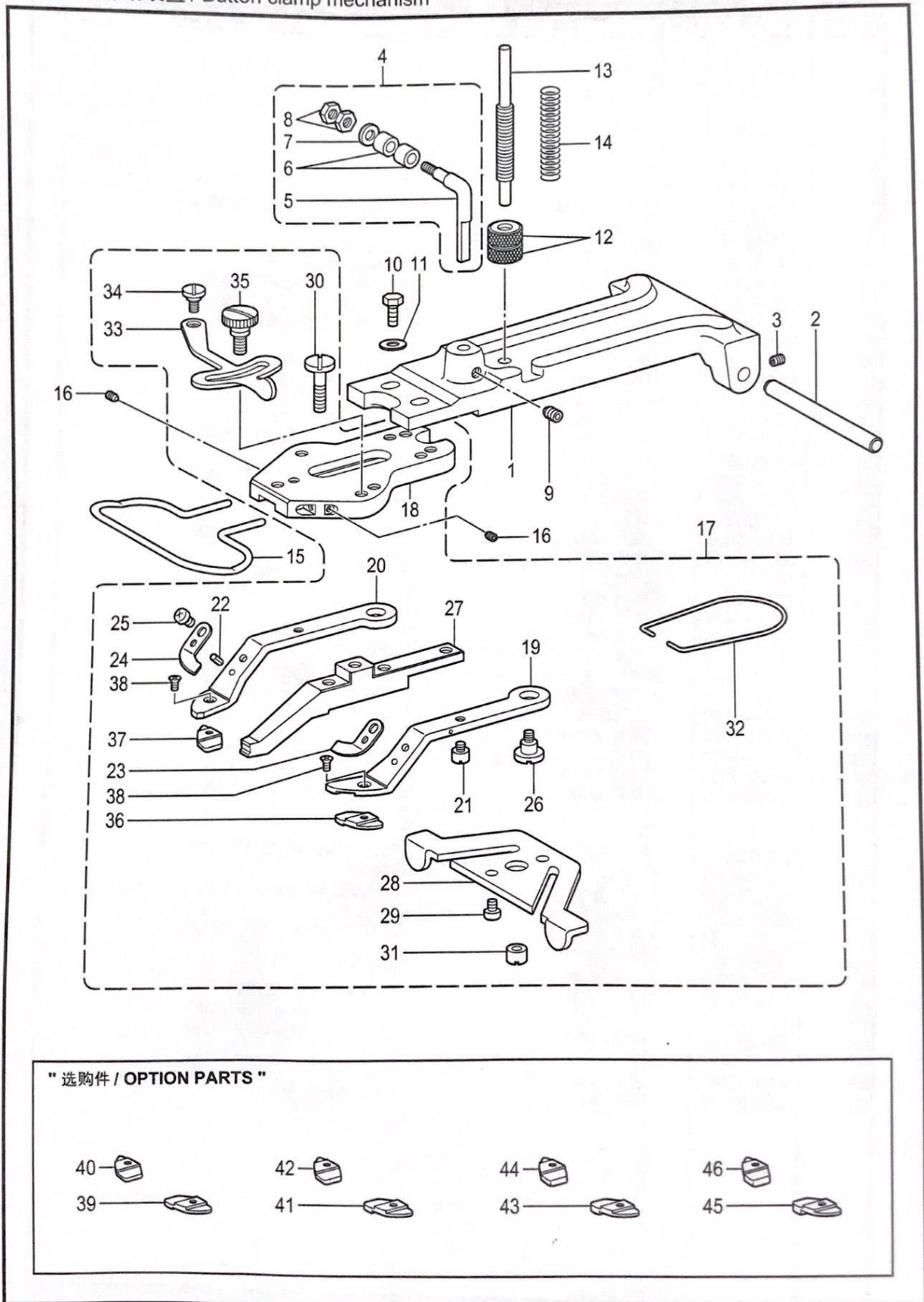
D. 抬压装置 / Work clamp lifter mechanism



D. 抬压装置 / Work clamp lifter mechanism

参照号	零部件序号	数量	零部件名称	NAME OF PARTS	RM
3	SA3432001	1	抬压压脚板	WORK CLAMP LIFTER PLATE	
4	047602042	1	弹簧销 AW6	PIN, SPRING ROLL AW6	
5	SA3628001	1	夹扣杆	BUTTON CLAMP ROD	
6	SA3434001	1	抬压杆	LIFTER LEVER	
7	152744001	1	销	PIN	
8	102630001	1	针杆接头滑块	NEEDLE BAR GUIDE SLIDE BLOCK	
9	SA3435001	1	抬压杆轴	LEVER SHAFT	
10	S20356001	1	平垫圈 10	WASHER, PLAIN 10	
11	048080342	1	挡圈 E8	RETAINING RING, E8	
12	012500536	1	螺钉 M5X5	SET SCREW, SOCKET (FT) M5X5	
13	012060636	1	螺钉 M6X6	SET SCREW, SOCKET (FT) M6X6	
14	SA3436001	1	抬压杆轴套	W-CLAMP LIFTER LEVER BUSH	
15	SA3437001	1	抬压杆	LINK	
16	SA3438001	2	段螺钉	LINK SHOULDER SCREW	
17	SA3439001	1	抬压驱动杆	DRIVE LEVER W-CLAMP LIFTER	
18	070696800	1	轴承 R-696ZZ	BALL BEARING, RADIAL 696ZZ	
19	SA3441001	1	抬压滚轮轴	W-CLAMP LIFTER ROLLER SHAFT	
20	012500536	1	螺钉 M5X5	SET SCREW, SOCKET (FT) M5X5	
21	SA3442001	1	抬压凸轮杆轴	CAM LEVER SHAFT	
22	012060636	2	螺钉 M6X6	SET SCREW, SOCKET (FT) M6X6	
23	S20356001	2	平垫圈 10	WASHER, PLAIN 10	
24	048080342	1	挡圈 E8	RETAINING RING, E8	
25	012500536	1	螺钉 M5X5	SET SCREW, SOCKET (FT) M5X5	
26	SA3443101	1	抬压凸轮齿轮	CAM GEAR	
27	047301042	1	弹簧销	PIN, SPRING ROLL AW3	
28	012060636	2	螺钉 M6X6	SET SCREW, SOCKET (FT) M6X6	
29	SA3444001	1	抬压凸轮轴	CAM SHAFT	
30	048060346	1	挡圈 E6	RETAINING RING, E6	
31	SA3231001	1	紧圈 B	SET SCREW COLLAR, B	
32	012060536	2	螺钉 M6X5	SET SCREW, SOCKET (FT) M6X5	
33	070688850	2	R球轴承 688ZZ	BALL BEARING, RADIAL 688ZZ	
34	SA3445001	1	马达底座	MOTOR BRACKET	
35	018061236	2	螺栓 M6X12	BOLT, SOCKET M6X12	
36	SA3446001	1	弹簧	SPRING	
37	SA3707001	1	驱动齿轮 16	GEAR 16	
38	012060536	2	螺钉 M6X5	SET SCREW, SOCKET (FT) M6X5	
39	SA3629001	1	夹扣滚轮轴	BUTTON CLAMP ROLLER SHAFT	
40	107744001	1	滚轮	ROLLER	
41	025040236	1	平垫圈 M4	WASHER, PLAIN M 4	
42	021400216	2	六角螺母 M4	NUT, 2 M4	
43	SA3630001	1	夹扣手柄支架	BUTTON CLAMP LEVER HOLDER	
44	018061636	2	螺栓 M6X16	BOLT, SOCKET M6X16	
45	025060236	2	平垫圈 M6	WASHER, PLAIN M 6	
46	SA3631001	1	夹扣手柄	BUTTON CLAMP LEVER	
47	153838001	1	夹扣杆轴	BUTTON CLAMP LEVER SHAFT	
48	012060636	1	螺钉 M6X6	SET SCREW, SOCKET (FT) M6X6	
49	SA4072001	1	抬压凸轮止动板	STOPPER	
50	062061016	1	螺钉 M6X10	SCREW, PAN M6X10	

E. 钮夹 · 作动装置 / Button clamp mechanism



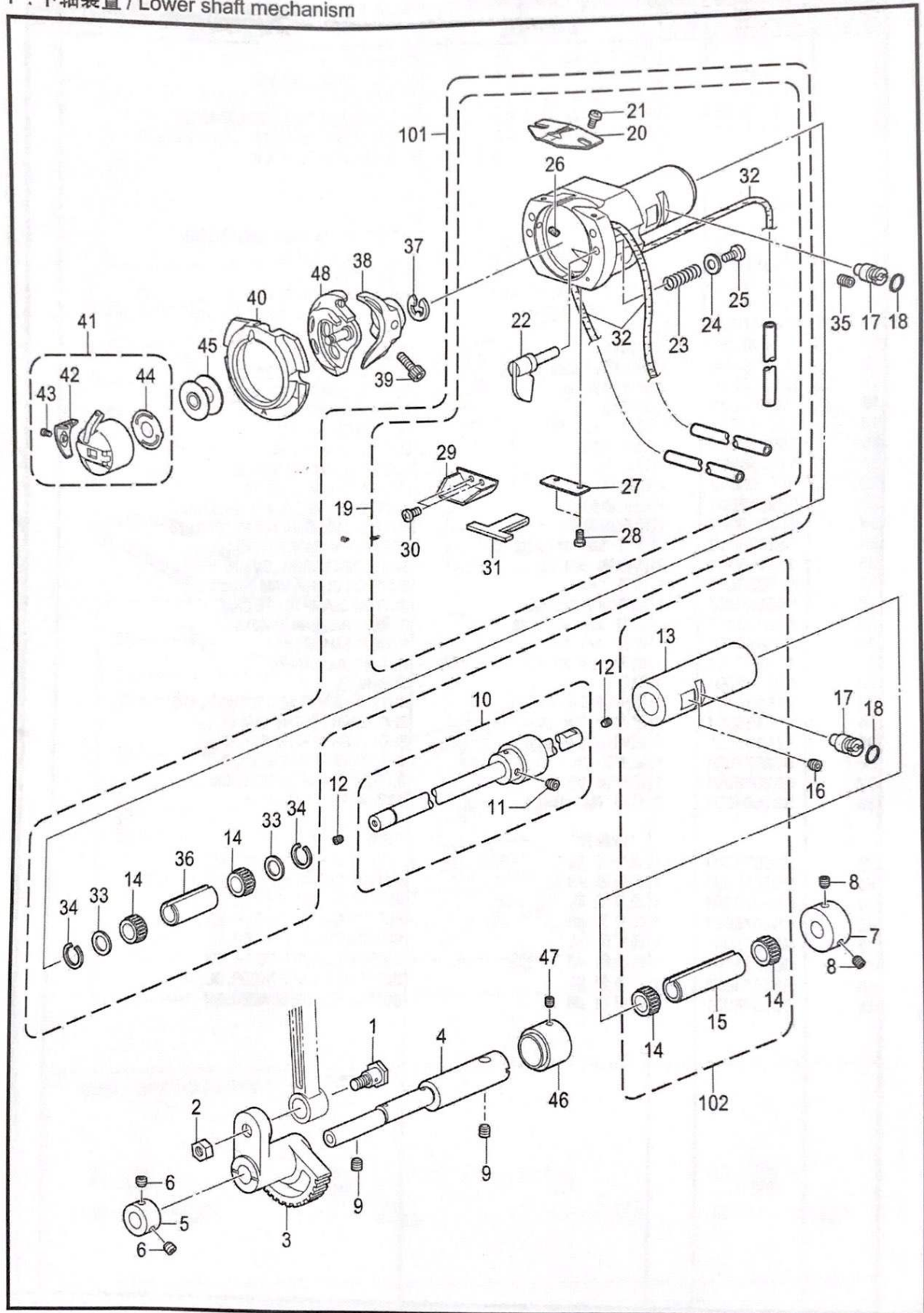
" 选购件 / OPTION PARTS "

40	42	44	46
39	41	43	45

E. 钮夹 · 作动装置 / Button clamp mechanism

参照号	零部件序号	数量	零部件名称	NAME OF PARTS	RM
			<用于BE-438D>	<For BE-438D>	
1	153830000	1	钮夹支架	BUTTON CLAMP HOLDER	
2	153827001	1	钮夹支架轴	BUTTON CLAMP HOLDER SHAFT	
3	014680632	2	螺钉 SM4.37-40X6	SET SCREW, SOCKET SM4.37-40X6	
4	151968001	1	支架钩组件	BUTTON CLAMP HOLDER HOOK ASSY	
5	151969001	1	支架钩	B-CLAMP HOLDER HOOK	
6	107744001	2	滚轮	ROLLER	
7	153484001	1	垫片 4.76	WASHER, PLAIN 4.76	
8	105234003	2	螺母 SM4.37	NUT SM4.37	
9	014760632	1	螺钉 SM5.95-28X6	SET SCREW, SOCKET SM5.95-28X6	
10	017711412	2	螺栓 SM4.76X14	BOLT, SM4.76-32X14	
11	146354001	2	垫圈 5	WASHER, PLAIN 5	
12	146994001	2	调整螺母 SM6.35-40	NUT, ROUND SM6.35-40	
13	115148201	1	螺钉 SM6.35-40	ADJUSTING SCREW, SM6.35-40	
14	115147001	1	压簧	COMPRESSION SPRING	
15	S49998001	1	护指器	FINGER GUARD	
16	011679312	2	固定螺钉 SM3.57	SET SCREW, (FT) SM3.57	
17	S59315001	1	钮夹组件 2A	BUTTON CLAMP ASSY, 2A	
18	S52093001	1	钮夹台	BUTTON CLAMP BASE	
19	S59316001	1	钮夹 2AL	BUTTON CLAMP, 2AL	
20	S59317001	1	钮夹 2AR	BUTTON CLAMP, 2AR	
21	115156001	2	导向销	BUTTON CLAMP GUIDE PIN	
22	047250642	2	弹簧销 AW2.5	PIN, SPRING ROLL AW2.5	
23	S59318001	1	钮夹板弹簧	BUTTON CLAMP 2AL PLATE SPRING	
24	S59319001	1	钮夹板弹簧	BUTTON CLAMP 2AR PLATE SPRING	
25	062680512	2	螺钉 SM4.37-40X5	SCREW, PAN SM4.37-40X5	
26	115158001	2	段螺栓 SM4.76	SHOULDER SCREW, SM4.76	
27	S59320001	1	钮夹 2AM	BUTTON CLAMP, 2AM	
28	S03659001	1	钮夹调节板凸轮	BUTTON CLAMP PLATE CAM	
29	062680812	2	螺钉 SM4.37-40X8	SCREW, PAN SM4.37-40X8	
30	S03468101	1	螺钉 SM4.37	SCREW, SM4.37	
31	S03657001	1	螺母 SM4.37	NUT, ROUND SM4.37	
32	S59321001	1	弹簧	SPRING	
33	115164101	1	钮夹调节板	BUTTON CLAMP ADJUSTING PLATE	
34	115165001	1	段螺栓 SM4.37	SHOULDER SCREW, SM4.37	
35	115166001	1	段螺栓 SM4.37	SHOULDER SCREW, SM4.37	
36	S52072001	1	钮夹垫 BL	BUTTON CLAMP SPACER, BL	
37	S52076001	1	钮夹垫 BR	BUTTON CLAMP SPACER, BR	
38	S01694001	2	螺钉 SM2.38X4	SCREW, FLAT SM2.38X4	
			"选购件"	"OPTION PARTS"	
39	S52071001	1	钮夹垫 AL	BUTTON CLAMP SPACER, AL	
40	S52075001	1	钮夹垫 AR	BUTTON CLAMP SPACER, AR	
41	S52072001	1	钮夹垫 BL	BUTTON CLAMP SPACER, BL	
42	S52076001	1	钮夹垫 BR	BUTTON CLAMP SPACER, BR	
43	S52073001	1	钮夹垫 CL	BUTTON CLAMP SPACER, CL	
44	S52077001	1	钮夹垫 CR	BUTTON CLAMP SPACER, CR	
45	S52074001	1	钮夹垫 DL	BUTTON CLAMP SPACER, DL	
46	S52078001	1	钮夹垫 DR	BUTTON CLAMP SPACER, DR	

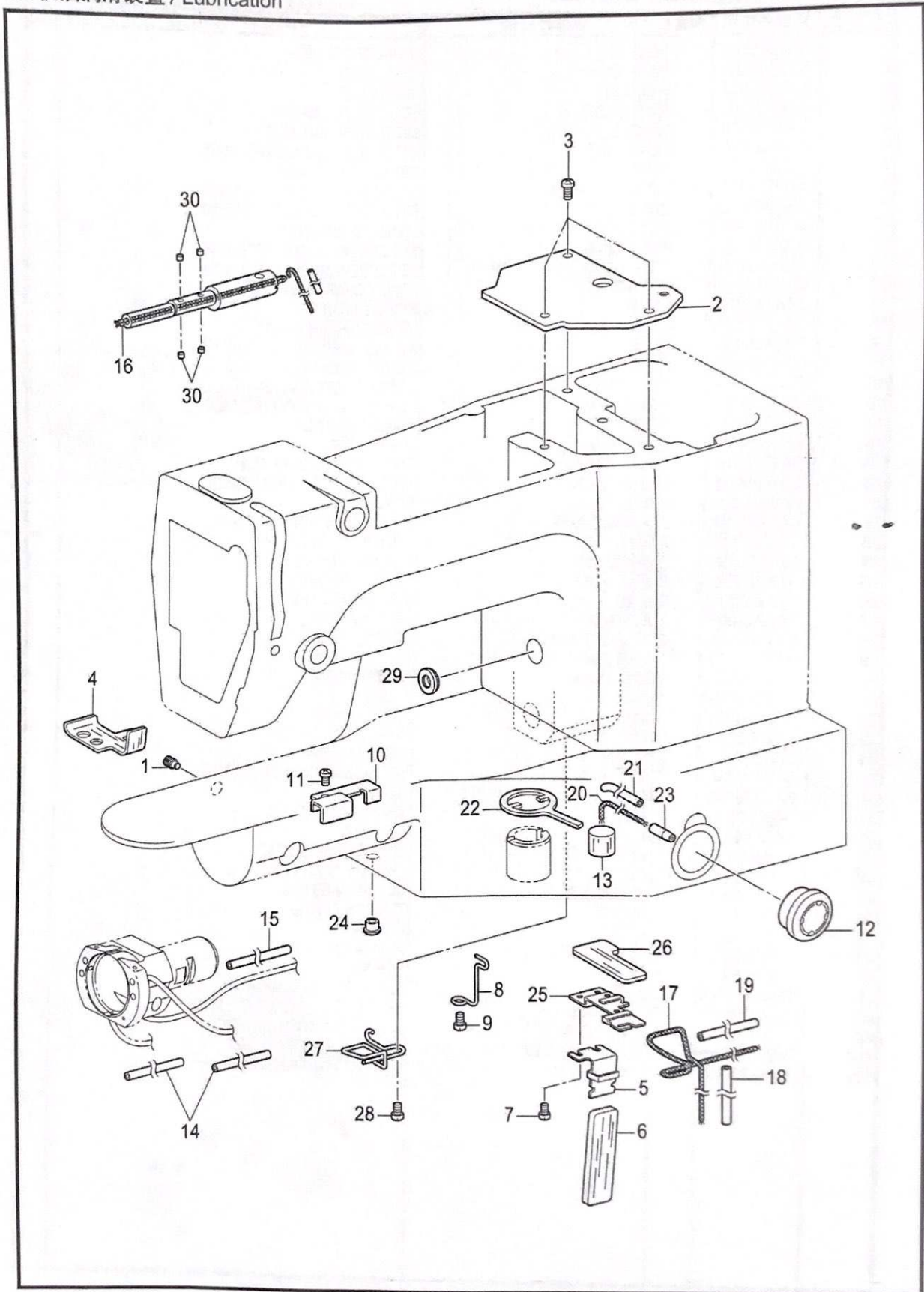
F. 下轴装置 / Lower shaft mechanism



F. 下轴装置 / Lower shaft mechanism

参照号	零部件序号	数量	零部件名称	NAME OF PARTS	RM
1	SA3226001	1	段螺钉	SHOULDER SCREW	
2	SA3227001	1	螺母 M6	NUT(FT),M6	
3	SA3228101	1	摆动齿轮	ROCK GEAR	
4	SA4068101	1	摆动齿轮轴 A	ROCK GEAR SHAFT,A	
5	SA3231001	1	紧圈 B	SET SCREW COLLAR,B	
6	012060536	2	螺钉 M6X5	SET SCREW, SOCKET (FT) M6X5	
7	SA3233001	1	紧圈	SET SCREW COLLAR	
8	S23651001	2	固定螺钉 M6X6	SET SCREW, SOCKET (FT) M6X6	
9	012060636	2	螺钉 M6X6	SET SCREW, SOCKET (FT) M6X6	
10	SA3234101	1	下轴组件	LOWER SHAFT ASSY	
11	012500536	1	螺钉 M5X5	SET SCREW, SOCKET (FT) M5X5	
12	012400436	2	螺钉 M4X4	SET SCREW, SOCKET (FT) M4X4	
13	SA3237001	1	下轴轴套	LOWER SHAFT BUSH	
14	SA4187001	4	轴承	NEEDLE BEARING	
14	SA4188001	4	轴承	NEEDLE BEARING	
14	SA4189001	4	轴承	NEEDLE BEARING	
14	SA4190001	4	轴承	NEEDLE BEARING	
15	SA3273001	1	下轴套圈	LOWER SHAFT COLLAR	
16	012060636	1	螺钉 M6X6	SET SCREW, SOCKET (FT) M6X6	
17	SA3238101	2	旋梭调节轴	ADJUSTING STUD	
18	081003670	2	O形圈 PW3	O RING, PW3	
19	SA3239101	1	大旋梭台组件	SHUTTLE RACE BASE ASSY	
20	S02429201	1	旋梭线导向	SHUTTLE RACE THREAD GUIDE	
21	SA4199001	2	螺钉 M3X4	SCREW, M3X4	
22	SA3241001	2	大旋梭固定柄	S-RACE BASE SETTING CLAW	
23	152684101	2	弹簧	COMPRESSION SPRING	
24	026030136	2	平垫圈 S3	WASHER, PLAIN S 3	
25	062300616	2	螺钉 M3X6	SCREW, PAN M3X6	
26	153050000	2	油毡	S-RACE BASE FELT	
27	SA3242001	1	油毡支架	FELT HOLDER	
28	S44924001	2	固定螺钉 M3X5.5	SCREW, M3X5.5	
29	SA3274101	1	油毡支架	FELT HOLDER	
30	S47307001	2	螺钉 M3X4	SCREW, M3X4	
31	SA3275001	1	油毡 T	FELT,T	
32	S59886001	3	油毡	FELT, L=360	
33	SA3276001	2	垫圈 A	SPACER,A	
34	SA3277001	2	止动圈	RETAINING RING	
35	012060636	1	螺钉 M6X6	SET SCREW, SOCKET (FT) M6X6	
36	SA3278001	1	轴圈	COLLAR	
37	048070342	1	挡圈 E7	RETAINING RING, E7	
38	SA3284001	1	梭托 D	DRIVER,D	
39	018501232	1	螺栓 M5X12	BOLT, SOCKET M5X12	
40	* P. 53	1	大旋梭	SHUTTLE RACE BASE	
41	* P. 53	1	梭芯套组件	BOBBIN CASE ASSY	
42	* P. 53	1	夹线簧	TENSION SPRING	
43	* P. 53	1	螺钉	SCREW	
44	* P. 53	1	防空转弹簧	ANTI-SPIN SPRING	
45	* P. 53	1	梭芯	BOBBIN	
46	SA3283101	1	紧圈 R	SET SCREW COLLAR,R	
47	012500536	1	螺钉 M5X5	SET SCREW, SOCKET (FT) M5X5	
48	* P. 53	1	中旋梭盒组件	SHUTTLE HOOK ASSY,W/BOX	
101	SA6128001	1	大旋梭台复合件	SHUTTLE RACE BASE SET	
102	SA6129001	1	下轴轴套组件	LOWER SHAFT BUSH ASSY	

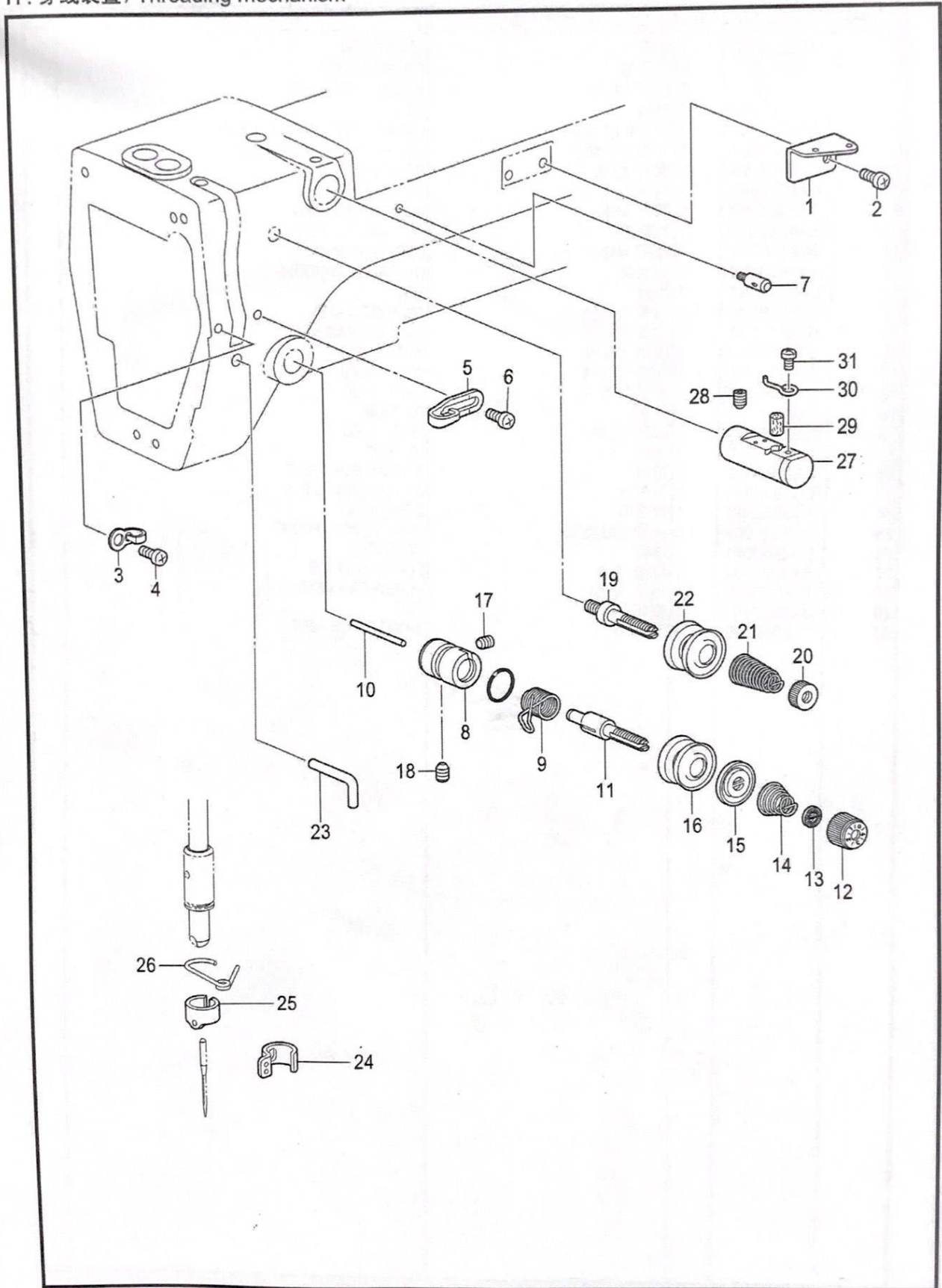
G. 供油润滑装置 / Lubrication



G. 供油润滑装置 / Lubrication

参照号	零部件序号	数量	零部件名称	NAME OF PARTS	RM
1	SA3244001	1	螺钉	SET SCREW	
2	SA3245001	1	曲柄盖	CRANK COVER	
3	062061016	3	螺钉 M6X10	SCREW, PAN M6X10	
4	SA3279001	1	油毡	FELT	
5	SA3503201	1	下轴给油支架	LOWER SHAFT WICK SUPPORT	
6	SA3504201	1	下轴齿轮油毡	LOWER SHAFT GEAR FELT	
7	062400616	2	螺钉 M4X6	SCREW, PAN M4X6	
8	SA3282001	1	油线夹 A	CORD HOLDER,A	
9	062060816	1	螺钉 M6X8	SCREW, PAN M6X8	
10	SA3249001	1	油管夹	OIL TUBE SUPPORT	
11	062400616	1	螺钉 M4X6	SCREW, PAN M4X6	
12	S49992000	1	油视窗	OIL GAUGE WINDOW	
13	SA3379001	1	油毡	FELT	
14	S50529000	2	油管 L=320	OIL TUBE, L=320	
15	S28415000	1	油管 L=225	OIL TUBE (L=225)	
16	S45849000	1	油线 L=300	WICK, L=300	
17	153922001	1	油线 L=500	WICK L=500	
18	SA1302001	1	维尼龙管	VINYL TUBE	
19	S56877000	1	油管	OIL TUBE	
20	S59886001	1	油毡 L=360	FELT, L=360	
21	143671000	1	油管	OIL TUBE	
22	SA3287001	1	油毡	X-FEED LEVER FELT	
23	S07333001	1	油管 S	OIL FEEDING PIPE, S	
24	146080000	1	橡皮塞	CORD BUSH	
25	SA3246001	1	齿轮供油支架	GEAR WICK SUPPORT	
26	SA3280001	1	油毡	GEAR FELT	
27	SA4221001	1	电线夹 B	CORD HOLDER,B	
28	062060816	1	螺钉 M6X8	SCREW,PAN M6X8	
29	SA4222001	1	油毡	FELT	
30	153050000	4	油毡	S-RACE BASE FELT	

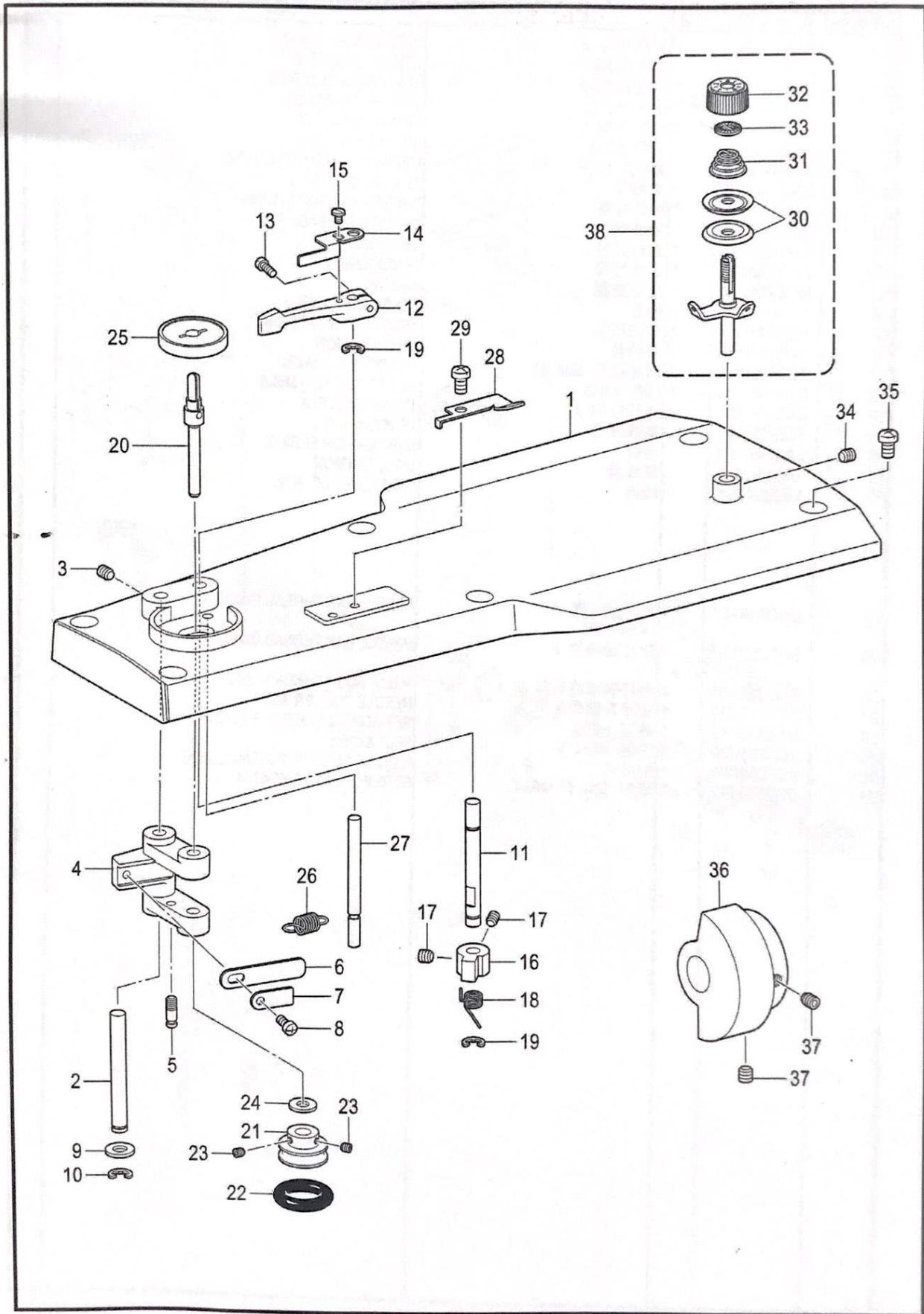
H. 穿线装置 / Threading mechanism



H. 穿线装置 / Threading mechanism

参照号	零部件序号	数量	零部件名称	NAME OF PARTS	RM
1	SA3250001	1	过线导向 A	ARM THREAD GUIDE,A	
2	062500616	1	螺钉 M5X6	SCREW, PAN M5X6	
3	SA4333001	1	过线导向 B	ARM THREAD GUIDE,B	
4	062500616	1	螺钉 M5X6	SCREW, PAN M5X6	
5	SA3252001	1	过线导向 C	ARM THREAD GUIDE,C	
6	062500616	1	螺钉 M5X6	SCREW, PAN M5X6	
7	153049001	1	面线导向杆	UPPER THREAD GUIDE STUD	
8	SA3254001	1	夹线座	TENSION BRACKET	
9	* P. 53	1	挑线弹簧	THREAD TAKE-UP SPRING	
10	S12699000	1	松线销	TENSION RELEASE PIN	
11	SA3255001	1	夹线杆轴	TENSION STUD	
12	S31032001	1	压线螺母	TENSION NUT	
13	S12441001	1	止动垫圈	WASHER	
14	* P. 53	1	弹簧	TENSION SPRING	
15	159805001	1	夹线压盘	TENSION DISC PRESSER	
16	145446001	2	夹线盘	DISC, TENSION	
17	100402004	1	固定螺钉 SM3.57	SET SCREW, SM3.57	
18	SA4143001	1	螺钉 M6X6	SET SCREW, (FT) M6X6	
19	SA3256001	1	夹线杆轴 A	TENSION STUD,A	
20	100136001	1	夹线螺母	TENSION NUT	
21	SA4146001	1	弹簧	SUB TENSION SPRING	
22	145446001	2	夹线盘	DISC, TENSION	
23	159224001	1	线钩	THREAD GUIDE, ARM	
24	SA3635101	1	针杆线导向 B	NEEDLE BAR THREAD GUIDE,B	
25	SA3257101	1	针杆线导向 A	NEEDLE BAR THREAD GUIDE,A	
26	SA3258001	1	针杆轴套线导向 D	N-BAR BUSH THREAD GUIDE,D	
27	152881001	1	线冷却器组件	NEEDLE COOLER ASSY	
28	012060636	1	螺钉 M6X6	SET SCREW, SOCKET(FT)M6X6	
29	152883000	1	油毡 8X15.5	FELT,8X15.5	
30	152884001	1	过线钩	NEEDLE COOLER THREAD GUIDE	
31	062670412	1	螺钉 SM3.57-40X4	SCREW,PAN SM3.57-40X4	

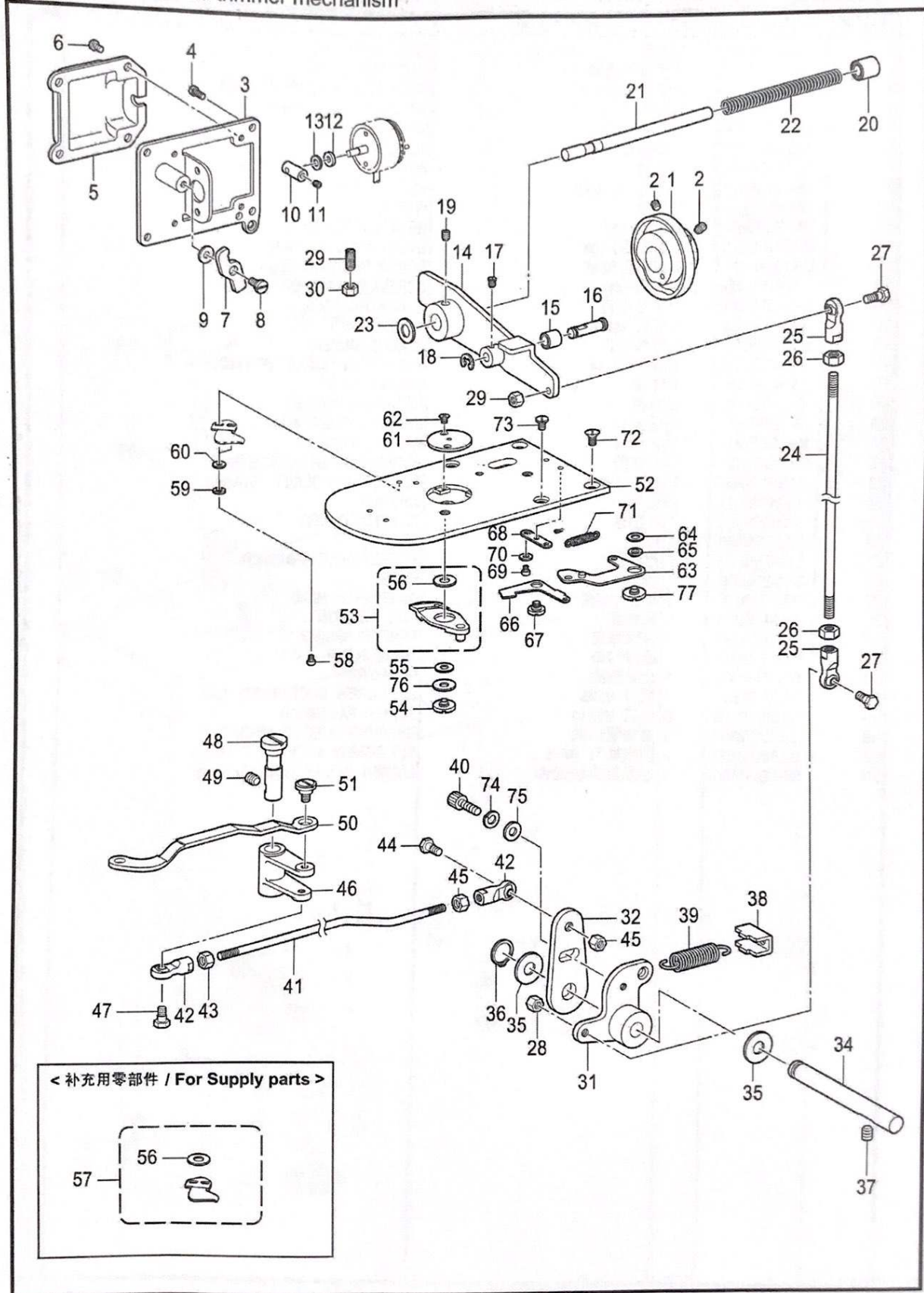
J. 卷线装置 / Bobbin winder mechanism



J. 卷线装置 / Bobbin winder mechanism

参照号	零部件序号	数量	零部件名称	NAME OF PARTS	RM
1	SA3289001	1	上盖	TOP COVER 430D	
2	SA3290001	1	卷线手柄轴	SHAFT,BW-LEVER	
3	012500536	1	螺钉 M5X5	SET SCREW, SOCKET (FT) M5X5	
4	SA3291001	1	卷线手柄	BOBBIN WINDER LEVER	
5	SA4171001	1	弹簧挂钩	SPRING HOOK	
6	152936001	1	板弹簧	PLATE SPRING	
7	152937001	1	垫圈	WASHER	
8	062350616	1	螺钉 M3.5X6	SCREW, PAN M3.5X6	
9	159486001	1	垫圈	WASHER	
10	048050342	1	挡圈 E5	RETAINING RING, E5	
11	SA3293001	1	卷线卡爪轴	STUD,B-WINDER CLAW	
12	SA1984001	1	梭芯压臂柄	BOBBIN PRESSER ARM	
13	062401216	1	螺钉 M4X12	SCREW, PAN M4X12	
14	SA3294001	1	梭芯压杆	BOBBIN PRESSER	
15	S23418002	1	螺钉 M4X5	SCREW, M4X5	
16	SA3295001	1	卷线卡爪	CLAW,B-WINDER	
17	012400436	2	螺钉 M4X4	SET SCREW, SOCKET (FT) M4X4	
18	S10438001	1	弹簧	SPRING, TWIST	
19	048050342	2	挡圈 E5	RETAINING RING, E5	
20	SA3296001	1	卷线轴	BOBBIN WINDER SHAFT	
21	SA3297001	1	卷线器	WHEEL,B-WINDER	
22	120448001	1	橡皮圈	BOBBIN WINDER RUBBER BAND	
23	012400436	2	螺钉 M4X4	SET SCREW, SOCKET (FT) M4X4	
24	159486001	2	垫圈	WASHER	
25	SA1988001	1	梭芯座	BOBBIN SUPPORT	
26	S10268001	1	拉簧	SPRING	
27	SA3298001	1	止动轴	STPPER SHAFT,B-WINDER	
28	SA3299001	1	切刀	KNIFE	
29	062500616	1	螺钉 M5X6	SCREW, PAN M5X6	
30	145446001	2	夹线盘	DISC, TENSION	
31	100401021	1	夹线弹簧	TENSION SPRING	
32	S31032001	1	压线螺母	TENSION NUT	
33	S12441001	1	止动垫圈	WASHER	
34	012500536	1	螺钉 M5X5	SET SCREW, SOCKET (FT) M5X5	
35	062061016	6	螺钉 M6X10	SCREW, PAN M6X10	
36	SA3300001	1	卷线驱动轮	DRIVINNG WHEEL,B-WINDER	
37	S23651001	2	固定螺钉 M6X6	SET SCREW, SOCKET (FT) M6X6	
38	SA1994101	1	卷线器夹线组件	BOBBIN WINDER TENSION ASSY	

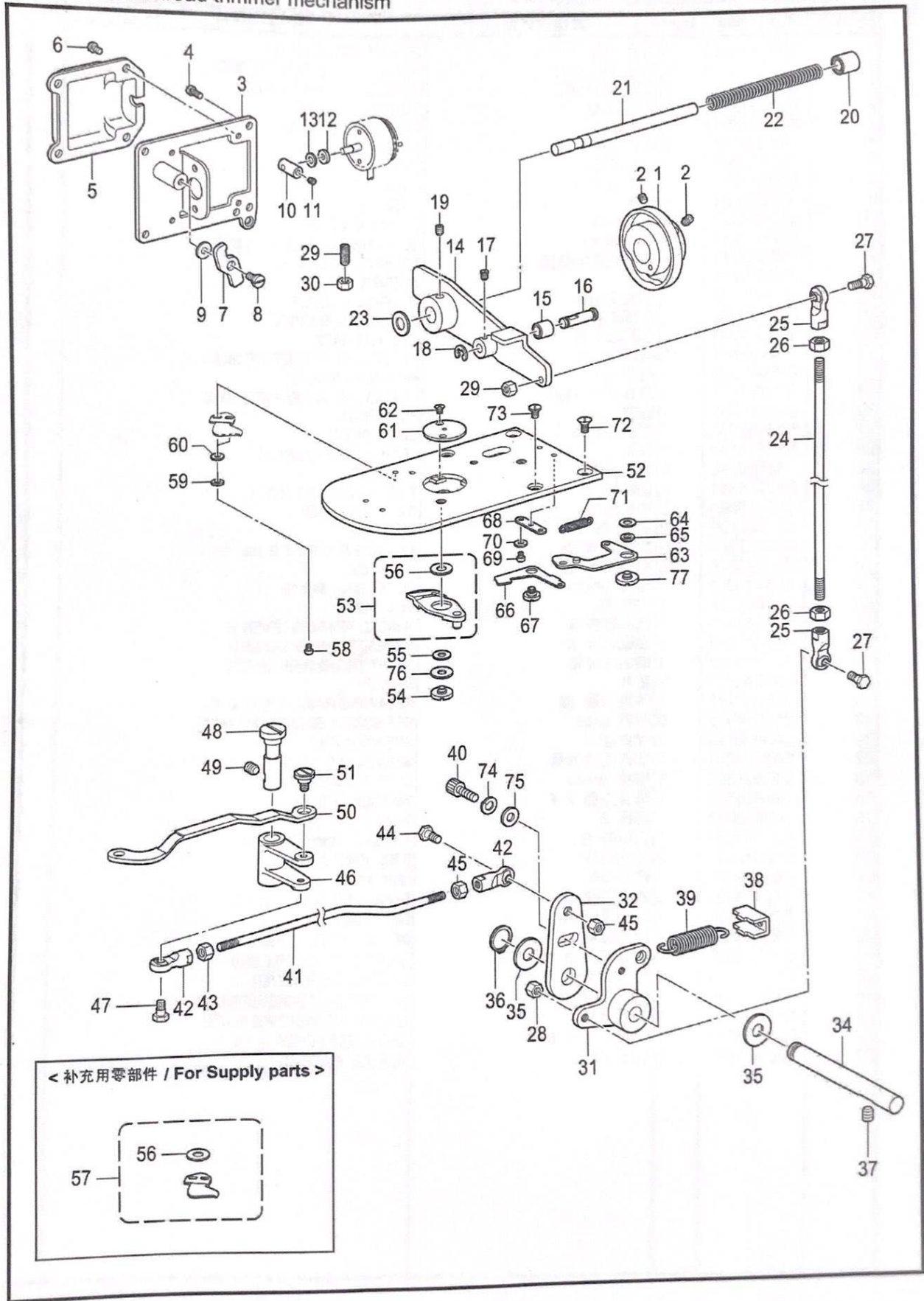
K. 切线装置 / Thread trimmer mechanism



K. 切线装置 / Thread trimmer mechanism

参照号	零部件序号	数量	零部件名称	NAME OF PARTS	RM
1	SA3301101	1	切线凸轮	THREAD TRIMMER CAM	
2	S23651001	2	固定螺钉 M6X6	SET SCREW, SOCKET (FT) M6X6	
3	SA3304101	1	电磁铁安装板	SETTING PLATE, SOLENOID	
4	062400816	4	螺钉 M4X8	SCREW, PAN M4X8	
5	SA3303001	1	电磁铁盖	TR-SOLENOID COVER	
6	060400516	4	螺钉 M4X5	SCREW, BIND M4X5	
7	SA3305001	1	驱动杆压杆	PUSHING LEVER, DRIVING LEVER	
8	SA3306001	1	段螺钉 7-3	SHOULDER SCREW, 7-3	
9	S39690021	1	垫圈	WASHER	
10	SA3307001	1	电磁铁杆	SOLENOID LEVER	
11	012400436	1	螺钉 M4X4	SET SCREW, SOCKET (FT) M4X4	
12	154599000	1	电磁铁缓冲垫圈	SOLENOID CUSHION	
13	S02652001	1	垫圈	WASHER	
14	SA3309001	1	切线驱动杆	TR-DRIVING LEVER	
15	SA3310001	1	切线滚轮	COLLAR, TR-TRIMMER	
16	SA3311001	1	切线滚轮轴	COLLAR SHAFT	
17	012400436	1	螺钉 M4X4	SET SCREW, SOCKET (FT) M4X4	
18	048040342	1	挡圈 E4	RETAINING RING, E4	
19	S23651001	1	固定螺钉 M6X6	SET SCREW, SOCKET (FT) M6X6	
20	231071001	1	轴套 8X15	BUSH, 8X15	
21	SA3312001	1	驱动杆导向轴	GUIDE SHAFT	
22	SA3313101	1	弹簧	SPRING, COMPRESSION	
23	154596000	1	减震垫圈	CUSHION	
24	SA3315001	1	切线杆 V	THREAD TRIMMER ROD V	
25	S32465001	2	接头组件	BALL JOINT ASSY	
26	021060106	2	螺母 M6	NUT, 1 M6	
27	S32462001	2	段螺钉 B M6	SHOULDER SCREW, B ;M6	
28	021060306	2	六角螺母 M6	NUT, 3 M6	
29	S25475001	1	螺钉 M6X19	SET SCREW, M6X19	
30	021060106	1	螺母 M6	NUT, 1 M6	
31	SA4546001	1	切线杠杆 V	THREAD TRIMMER LEVER V	
32	SA3317001	1	切线杠杆 H	THREAD TRIMMER LEVER H	
34	SA3319101	1	切线杠杆轴	SHAFT, TR-TRIMMER LEVER	
35	SA4545001	2	垫片	SPECER	
36	048080142	1	轴用挡圈 C8	RETAINING RING EXTERNAL C8	
37	012060636	2	螺钉 M6X6	SET SCREW, SOCKET (FT) M6X6	
38	SA3320101	1	弹簧挂钩	SPRING HOOK	
39	SA3321001	1	切线复位弹簧	SPRING, EXTENSION	
40	018501232	1	螺栓 M5X12	BOLT, SOCKET M5X12	
74	028050246	1	弹簧垫圈 2-5	WASHER SPRING 2-5	
75	146352002	1	垫圈 5	WASHER, PLAIN 5	
41	SA3323001	1	切线杆 H	THREAD TRIMMER ROD H	
42	S32465001	2	接头组件	BALL JOINT ASSY	
43	021060106	2	螺母 M6	NUT, 1 M6	
44	S32462001	1	段螺钉 B M6	SHOULDER SCREW, B ;M6	
45	021060306	1	六角螺母 M6	NUT, 3 M6	
46	SA3324001	1	动刀曲柄	MOVING KNIFE LEVER	
47	SA3325001	1	段螺钉 6.35-6	SHOULDER SCREW, 6.35-6	
48	SA3326001	1	动刀曲柄轴	SHAFT, M-KNIFE LEVER	
49	012060636	1	螺钉 M6X6	SET SCREW, SOCKET (FT) M6X6	
50	SA3327101	1	动刀连杆	M-KNIFE CONNECTING PLATE	
51	SA4354001	1	段螺钉 6-1.8	SHOULDER SCREW, 6-1.8	
52	SA3655001	1	针板 SC	NEEDLE PLATE, SC	

K. 切线装置 / Thread trimmer mechanism



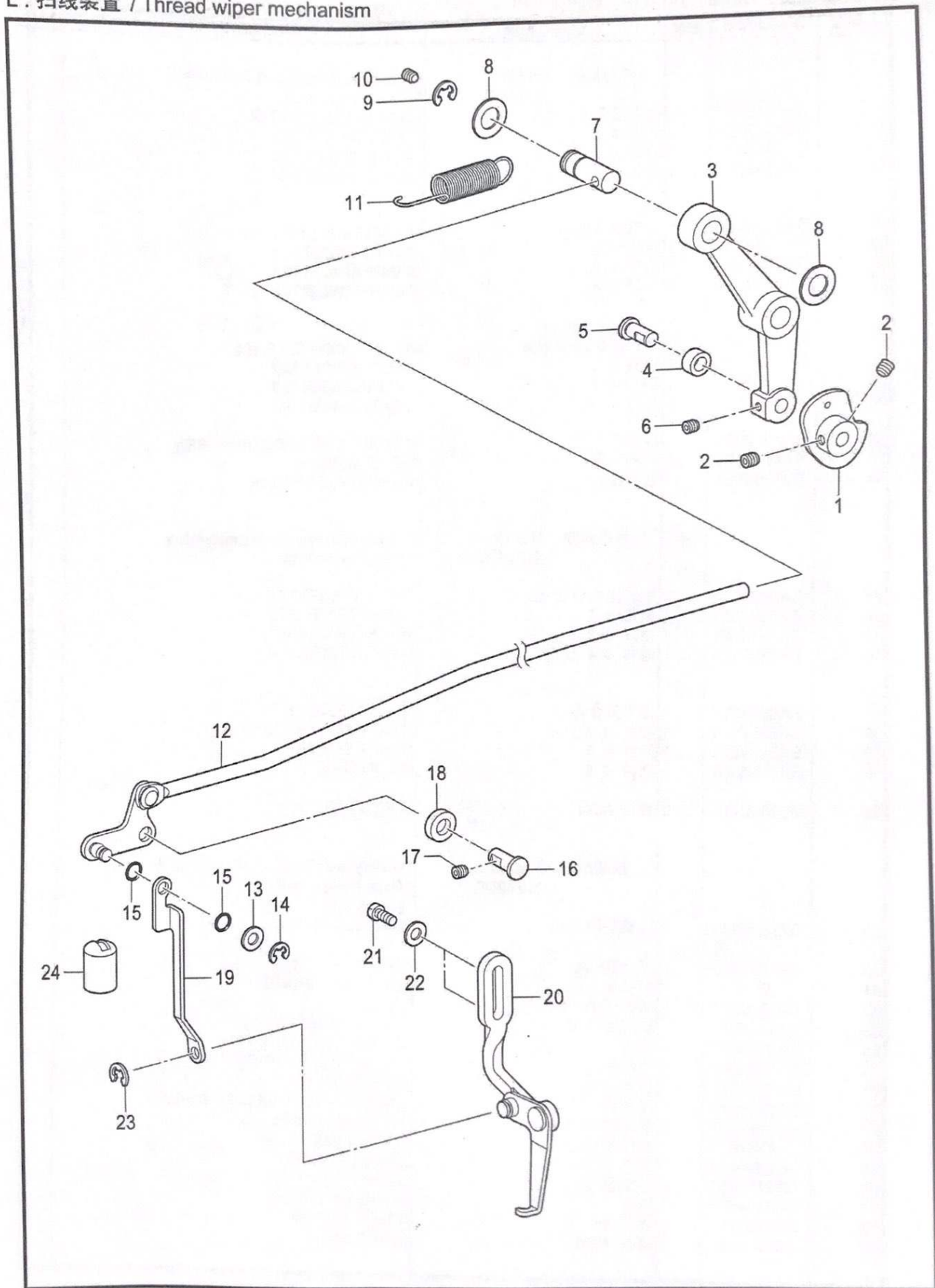
< 补充用零部件 / For Supply parts >

57 — 56

K. 切线装置 / Thread trimmer mechanism

参照号	零部件序号	数量	零部件名称	NAME OF PARTS	RM
			普通织物、针织物、 女式内衣	Ordinary materials, Knitted materials & Foundation garments	
53	SA6429001	1	动刀复合件 F-SC	MOVABLE KNIFE SET F-SC	
56	SA6397001	1	垫片 0.2	M-KNIFE SPACER T0.2	
56	SA3334001	1	垫片 0.3	M-KNIFE SPACER T0.3	
56	SA6398001	1	垫片 0.4	M-KNIFE SPACER T0.4	
53	SA6596001	1	动刀复合件 F	MOVABLE KNIFE SET F	
56	SA6397001	1	垫片 0.2	M-KNIFE SPACER T0.2	
56	SA3334001	1	垫片 0.3	M-KNIFE SPACER T0.3	
56	SA6398001	1	垫片 0.4	M-KNIFE SPACER T0.4	
53	SA6432001	1	动刀复合件 F-SCS	MOVABLE KNIFE SET F-SCS	
56	SA6397001	1	垫片 0.2	M-KNIFE SPACER T0.2	
56	SA3334001	1	垫片 0.3	M-KNIFE SPACER T0.3	
56	SA6398001	1	垫片 0.4	M-KNIFE SPACER T0.4	
54	SA4518001	1	段螺钉	MOVABLE KNIFE SHOULDER SCREW	
76	SA4519001	1	轴向垫圈	THRUST WASHER	
55	S00705001	1	动刀圈套	MOVABLE KNIFE COLLAR	
			普通织物、针织物、 女式内衣	Ordinary materials, Knitted materials & Foundation garments	
57	SA6431001	1	定刀复合件 F-SC	FIXED KNIFE SET F-SC	
56	SA6397001	1	垫片 0.2	M-KNIFE SPACER T0.2	
56	SA3334001	1	垫片 0.3	M-KNIFE SPACER T0.3	
56	SA6398001	1	垫片 0.4	M-KNIFE SPACER T0.4	
57	SA6597001	1	定刀复合件 F	FIXED KNIFE SET F	
56	SA6397001	1	垫片 0.2	M-KNIFE SPACER T0.2	
56	SA3334001	1	垫片 0.3	M-KNIFE SPACER T0.3	
56	SA6398001	1	垫片 0.4	M-KNIFE SPACER T0.4	
58	062300416	2	螺钉 M3X4	SCREW, PAN M3X4	
			普通织物、针织物、 女式内衣	Ordinary materials, Knitted materials & Foundation garments	
59	028030246	2	弹簧垫圈 2-3	WASHER, SPRING 2-3	
60	025030236	2	平垫圈 M3	WASHER, PLAIN M 3	
61	* P. 53	1	针孔板	NEEDLE HOLE PLATE	
62	100360003	2	螺钉 SM2.38	SCREW	
63	SA3337001	1	夹线组件 D	THREAD NIPPER ASSY D	
64	SA4330001	1	垫片	SPACER, THREAD NIPPER	
65	SA4329001	1	夹线圈套	COLLAR, THREAD NIPPER	
66	SA3341001	1	压线板 U	THREAD NIPPER U	
77	SA3333001	1	段螺钉	THREAD NIPPER SHOULDER SCREW	
67	SA3342001	1	段螺钉 6-0.9	SHOULDER SCREW, 6-0.9	
68	SA3343001	1	弹簧挂钩板	PLATE, SPRING HOOK	
69	062300416	2	螺钉 M3X4	SCREW, PAN M3X4	
70	025030236	2	平垫圈 M3	WASHER, PLAIN M 3	
71	SA3344001	1	弹簧	SPRING, EXTENSION	
72	S25310101	2	螺钉 M4	SCREW, FLAT M4	
73	SA3538001	2	螺钉 M4X8	SCREW, M4X8	

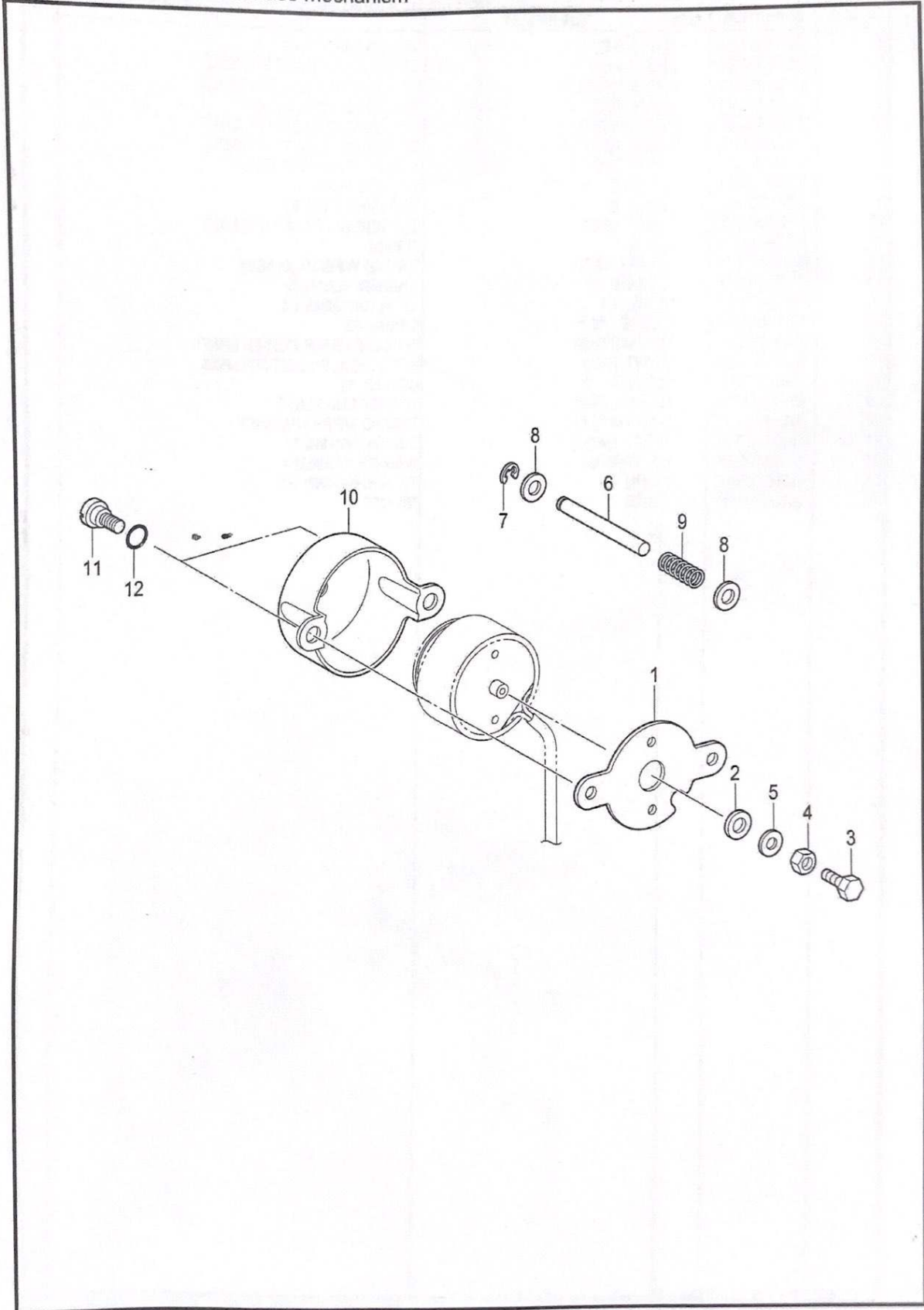
L. 扫线装置 / Thread wiper mechanism



L. 扫线装置 / Thread wiper mechanism

参照号	零部件序号	数量	零部件名称	NAME OF PARTS	RM
1	SA3447001	1	扫线凸轮	THREAD WIPER CAM	
2	012060636	2	螺钉 M6X6	SET SCREW, SOCKET (FT) M6X6	
3	SA3448001	1	扫线驱动曲柄	DRIVING LEVER,;THREAD WIPER	
4	SA3449001	1	扫线滚轮	THREAD WIPER ROLLER	
5	SA3441001	1	抬压滚轮轴	W-CLAMP LIFTER ROLLER SHAFT	
6	012500536	1	螺钉 M5X5	SET SCREW, SOCKET (FT) M5X5	
7	SA3451001	1	扫线杆轴	THREAD WIPER ROD SHAFT	
8	S20356001	2	平垫圈 10	WASHER, PLAIN 10	
9	048080342	1	挡圈 E8	RETAINING RING, E8	
10	012500536	1	螺钉 M5X5	SET SCREW, SOCKET (FT) M5X5	
11	SA3446001	1	弹簧	SPRING	
12	SA3452001	1	扫线杆组件	THREAD WIPER ROD ASSY	
13	025050134	1	平垫圈 S5	WASHER, PLAIN S 5	
14	048040342	1	挡圈 E4	RETAINING RING, E4	
15	081005070	2	O形圈 P5	O RING, P5	
16	SA3441001	1	抬压滚轮轴	W-CLAMP LIFTER ROLLER SHAFT	
17	012500536	1	螺钉 M5X5	SET SCREW, SOCKET (FT) M5X5	
18	S38033002	1	定位圈 13	COLLAR, 13	
19	SA3458001	1	扫线连接板	CONNECTING PLATE	
20	SA3459101	1	扫线臂组件	THREAD WIPER ARM ASSY	
21	062401006	2	螺钉 M4X10	SCREW, PAN M4X10	
22	025040236	2	平垫圈 M4	WASHER, PLAIN M 4	
23	048040342	1	挡圈 E4	RETAINING RING, E4	
24	SA3464001	1	油塞	OIL CAP	

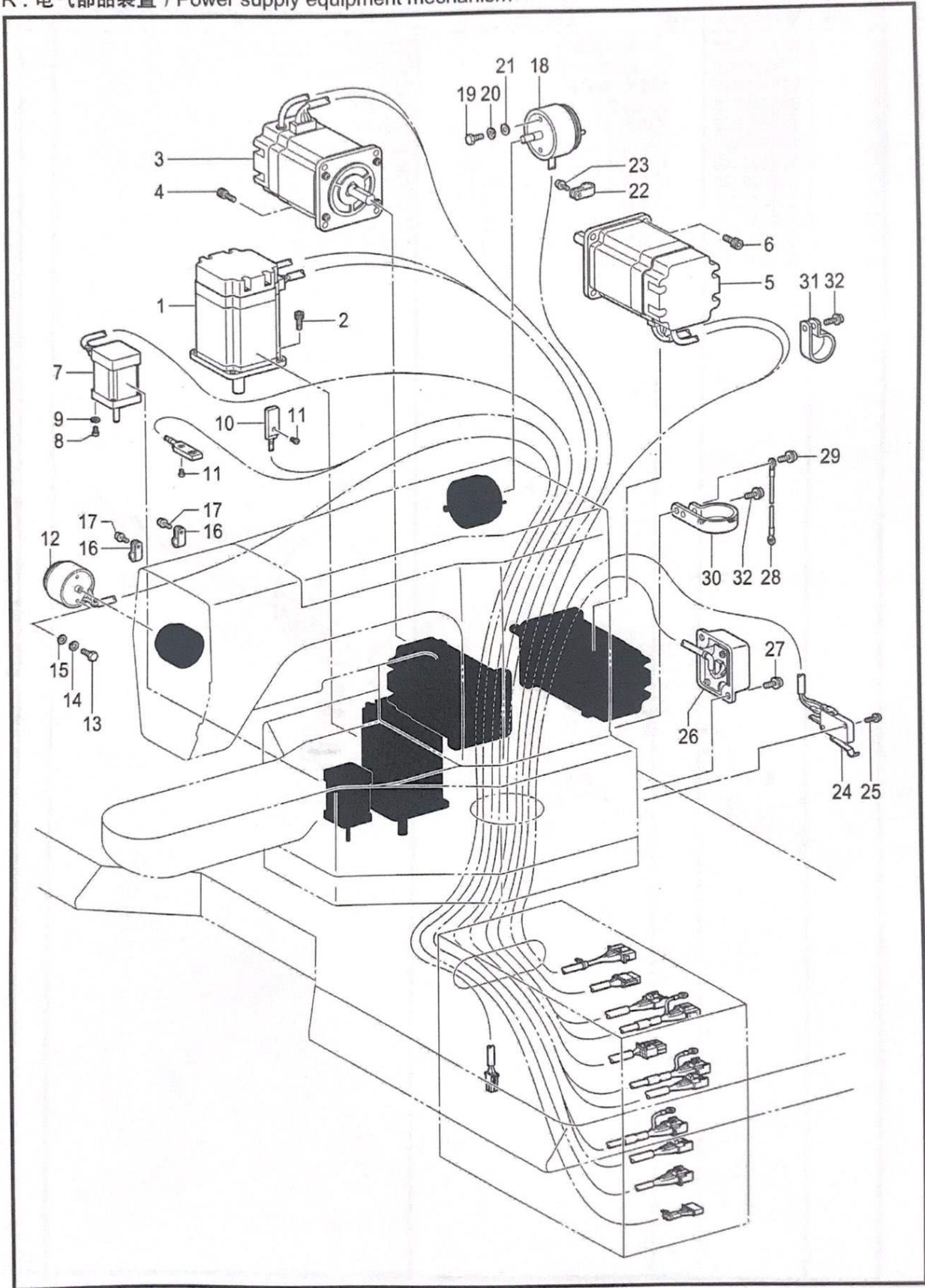
M. 系统装置 / Tension release mechanism



M. 系线装置 / Tension release mechanism

参照号	零部件序号	数量	零部件名称	NAME OF PARTS	RM
1	SA3345001	1	电磁铁安装板	SETTING PLATE,SOLENOID	
2	154599000	1	电磁铁缓冲垫圈	SOLENOID CUSHION	
3	017401015	1	螺栓 M4X10	BOLT, M4X10	
4	021400306	1	六角螺母 M4	NUT, 3 M4	
5	102707002	1	垫圈 4	WASHER	
6	SA3347001	1	松线杆	TENSION RELEASE BAR	
7	048040342	1	挡圈 E4	RETAINING RING, E4	
8	025050236	2	平垫圈 M5	WASHER, PLAIN M 5	
9	SA3348001	1	弹簧	SPRING,COMPRESSION	
10	SA3349001	1	电磁铁盖	SOLENOID COVER	
11	SA3306001	2	段螺钉 7-3	SHOULDER SCREW,7-3	
12	081007070	2	O形圈 P7	O RING P7	

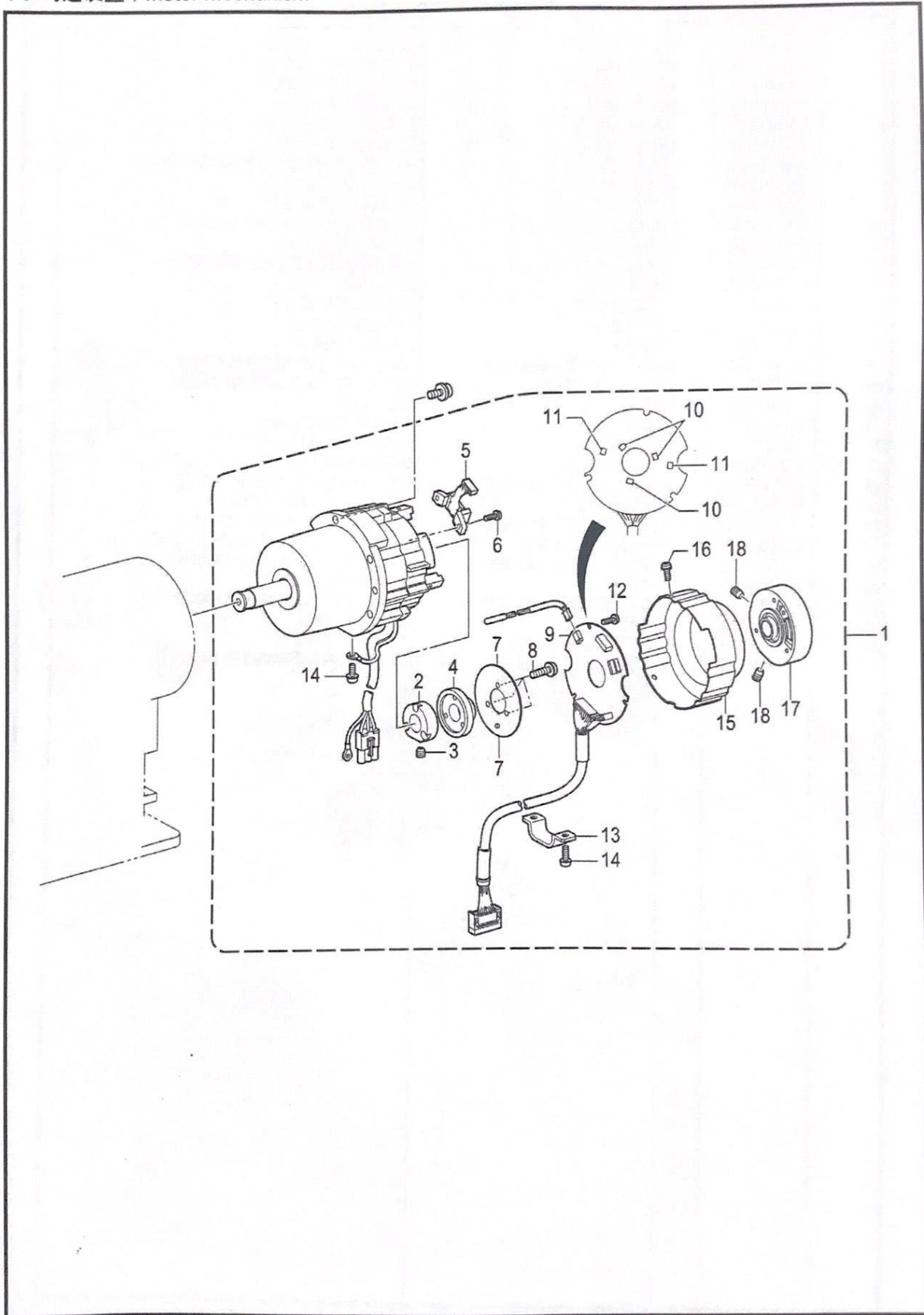
R. 电气部品装置 / Power supply equipment mechanism



R.电气部品装置 / Power supply equipment mechanism

参照号	零部件序号	数量	零部件名称	NAME OF PARTS	RM
1	SA3465101	1	脉冲马达组件 X	PULSE MOTOR ASSY,X	
2	018401036	4	螺栓 M4X10	BOLT, SOCKET M4X10	
3	SA3469101	1	脉冲马达组件 Y	PULSE MOTOR ASSY,Y	
4	018400836	4	螺栓 M4X8	BOLT, SOCKET M4X8	
5	SA3472101	1	脉冲马达组件 P	PULSE MOTOR ASSY,P	
6	018401036	4	螺栓 M4X10	BOLT, SOCKET M4X10	
7	SA4127001	1	夹线组件	PULSE MOTOR ASSY,THREAD CATCH	
8	062300816	4	螺钉 M3X8	SCREW, PAN M3X8	
9	028030246	4	弹簧垫圈 2-3	WASHER, SPRING 2-3	
10	SA3477001	1	夹线原点传感器组件	HOME POSITION SENSOR THREAD-C	
11	062300816	2	螺钉 M3X8	SCREW, PAN M3X8	
12	SA4347001	1	松线电磁铁组件	TENSION RELEASE SOLENOID,ASSY	
13	017400802	2	螺栓 M4X8	BOLT, M4X8	
14	028040246	2	弹簧垫圈 2-4	WASHER,SPRING 2-4	
15	025040236	2	平垫圈 M4	WASHER,PLAIN M4	
16	149547000	2	压线板	CORD HOLDER, 4N	
17	0A5401006	2	螺栓(带垫圈) M4X10DB	SCREW, PAN (S/P WASHER) M4X10	
18	SA4348001	1	切线电磁铁组件	THREAD TRIMMER SOLENOID,ASSY	
19	017400802	2	螺栓 M4X8	BOLT, M4X8	
20	028040246	2	弹簧垫圈 2-4	WASHER,SPRING 2-4	
21	025040236	2	平垫圈 M4	WASHER,PLAIN M4	
22	146202000	1	尼龙线夹 6N	CORD HOLDER, 6N	
23	0A5401006	2	螺栓(带垫圈) M4X10DB	SCREW, PAN (S/P WASHER) M4X10	
24	SA3481001	1	机头开关组件	SWITCH ASSY,MACHINE HEAD	
25	0A5301605	2	螺栓(带垫圈) M3X16DB	SCREW,PAN(S/P WASHE) M3X16	
26	SA3523101	1	机头检出器复合件	HEAD DETECTOR UNIT,ASSY	
27	0A5401006	2	螺栓(带垫圈) M4X10DB	SCREW, PAN (S/P WASHER) M4X10	
28	SA3486001	1	地线 350	GROUND WIRE,350	
29	0A5401006	2	螺栓(带垫圈) M4X10DB	SCREW, PAN (S/P WASHER) M4X10	
30	S11817000	1	挂钩	CLAMP, NK-18N	
31	554482000	1	电线夹 #12	CORD HOLDER, #12	
32	0A5401006	2	螺栓(带垫圈) M4X10DB	SCREW, PAN (S/P WASHER) M4X10	

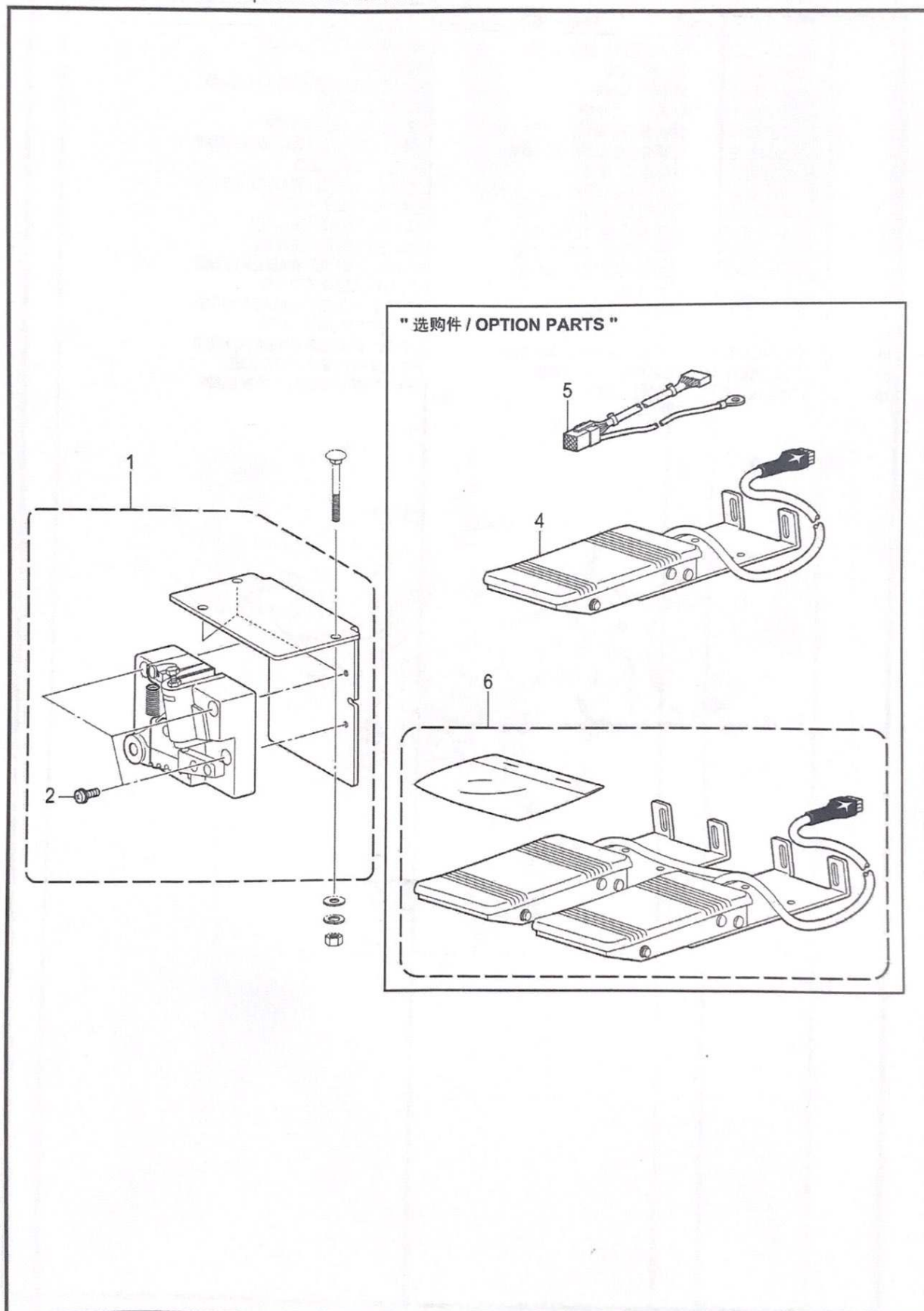
T. 马达装置 / Motor mechanism



T. 马达装置 / Motor mechanism

参照号	零部件序号	数量	零部件名称	NAME OF PARTS	RM
1	J80991001	1	马达组件 CDD-430D	MOTOR ASSY, CDD-430D	
2	J03955001	1	磁鼓 CDD	DRUM CDD	
3	014400632	1	螺钉 M4X6	SET SCREW, SOCKET (CP) M4X6	
4	J03956001	1	磁铁 180P36	MAGNET 180P36	
5	J03957001	1	MR感应器组件 180P	MR SENSOR ASSY 180P	
6	0A4300805	1	螺栓(带垫圈) M3X8DA	SCREW, PAN (S/P WASHER) M3X8	
7	J03958001	1	屏蔽板 CDD	SHIELD PLATE CDD	
8	0A4261005	3	螺栓(带垫圈) M2.6X10DA	SCREW, PAN (S/P WASHE) M2.6X10	
9	J04488001	1	ENC基板组件 430D#2	ENC PCB ASSY, 430D#2	
10	J03983001	3	霍尔元件 ICE W-400	HALL ELEMENT: ICEW-400	
11	J03984001	2	霍尔元件 ICE W-450	HALL ELEMENT: ICEW-450	
12	0A5300606	3	螺栓(带垫圈) M3X6DB	SCREW, PAN (S/P WASHER) M3X6	
13	J04230001	1	电线固定夹 CDD-HT	CORD HOLDER, CDD-HT	
14	0A4401005	3	螺栓(带垫圈) M4X10DA	SCREW, PAN (S/P WASHE) M4X10	
15	J04388001	1	编码器盖 430D	ENCODER COVER, 430D	
16	0A4300805	3	螺栓(带垫圈) M3X8DA	SCREW, PAN (S/P WASHER) M3X8	
17	J04303001	1	同步轮组件 430D	PULLEY HOLDER ASSY, 430D	
18	014500632	2	螺钉 M5X6	SET SCREW, SOCKET (CP) M5X6	

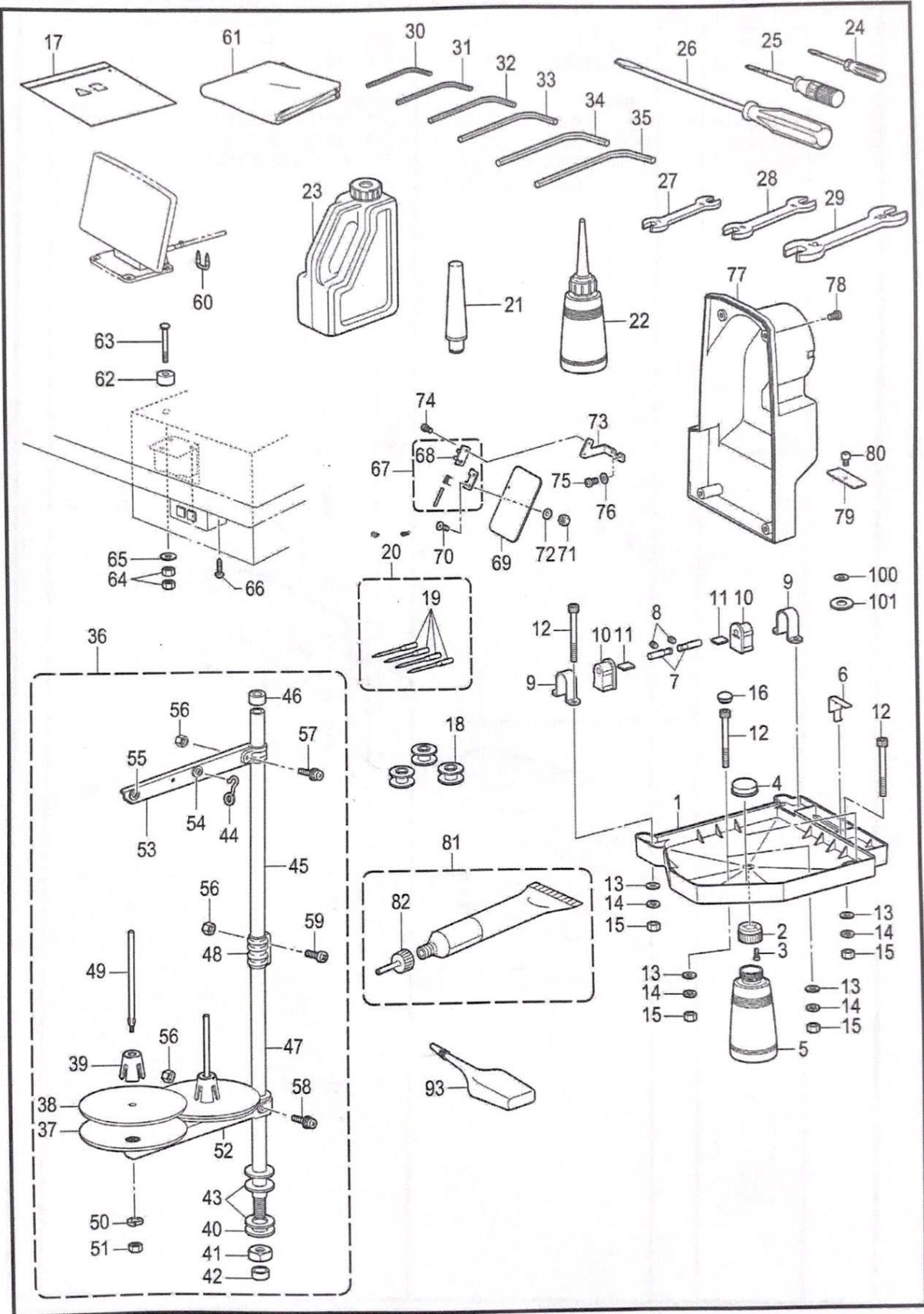
U . 踏板关系 / Foot switch pedal mechanism



U. 踏板关系 / Foot switch pedal mechanism

参照号	零部件序号	数量	零部件名称	NAME OF PARTS	RM
1	SA3519101	1	踏板复合件 A	TREADLE UNIT, A ASSY	
2	0A4501005	3	螺栓(带垫圈) M5X10DA	SCREW, PAN (S/P WASHE) M5X10	
			"选购件"	"OPTION PARTS"	
5	SA3784001	1	脚开关变换配线	CONVERSION HARNESS, FOOT SW	
4	S49668101	1	2挡脚开关组件	2-STEP FOOT SWITCH ASSY	
6	S51846101	1	2连3脚开关复合件	2-PEDAL FOOT SWITCH SET, 3	

Z. 附件 / Accessories

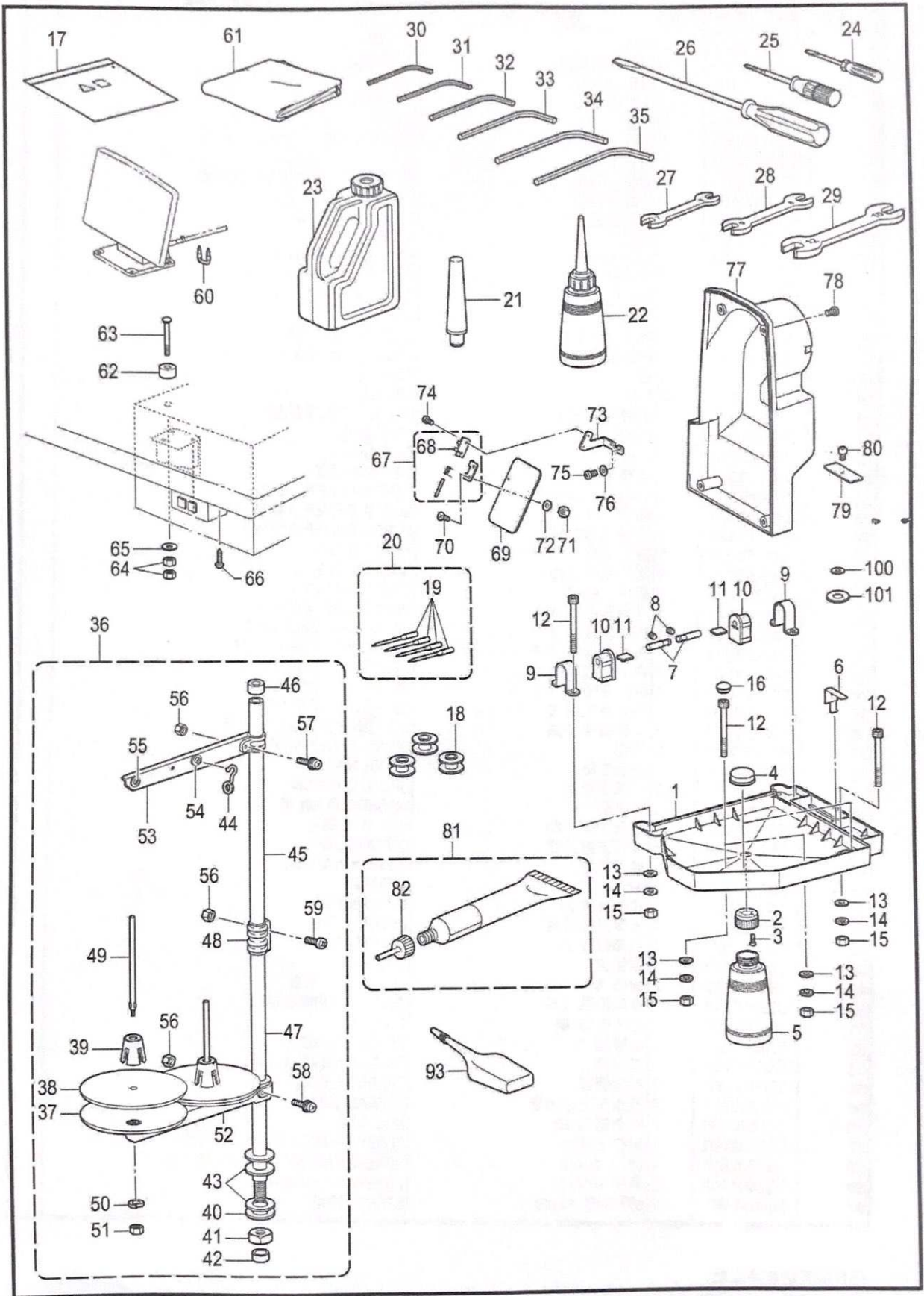


Z. 附件 / Accessories

参照号	零部件序号	数量	零部件名称	NAME OF PARTS	RM
1	SA3383001	1	油盘	OIL PAN	
2	154467001	1	废油回收壶盖	DUST OILER	
3	037301215	2	螺销 M3X12	TAPPING SCREW, PAN V M3X12	
4	SA3540001	2	缓冲橡皮垫	RUBBER CUSHION	
5	114486002	1	油壶	OILER	
6	SA3820001	1	弹簧	SPRING;HEAD	
7	SA3384001	2	机头支承销	PIN	
8	012060636	2	螺钉 M6X6	SET SCREW, SOCKET (FT) M6X6	
9	SA3385001	2	头部铰链座	HINGE HOLDER	
10	SA3395001	2	橡皮铰链	RUBBER CUSHION	
11	SA3392001	2	垫片	SPACER	
12	SA3387001	7	螺栓 M6X75	BOLT, SOCKET M6X75	
13	025060336	7	平垫圈 L6	WASHER, PLAIN L 6	
14	028060246	7	弹簧垫圈 2-6	WASHER, SPRING 2-6	
15	021060106	7	螺母 M6	NUT, 1 M6	
16	S32264001	2	橡皮塞 11.5	RUBBER CAP, 11.5	
17	122991001	1	附属品塑料袋	ACCESSORY BAG	
18	* P. 53	3	梭芯	BOBBIN	
19	* P. 54	4	机针	NEEDLE	
20	* P. 54	1	机针组 (4支装)	NEEDLE 4PIECE ASSY	
21	SA3380001	1	机头撑杆	HEAD REST	
22	114483002	1	油壶组件	OILER ASSY	
23	S55663001	1	油罐组件	OIL TANK ASSY	
24	142443001	1	小起子 1.9X52	SCREW-DRIVER, 1.9X52	
25	118837001	1	起子 3.4X70	SCREW-DRIVER, 3.4X70	
26	101572101	1	起子 5.5X190	SCREW-DRIVER, 5.5X190	
27	107779001	1	扳手 6X7	WRENCH, 6X7	
28	100887001	1	双头扳手 8X9	WRENCH, 8X9	
29	107780001	1	扳手 10X12	WRENCH, 10X12	
30	S07783001	1	内六角扳手 1.5	HEXAGONAL WRENCH, 1.5	
31	142002001	1	内六角扳手 2	HEXAGONAL WRENCH, 2	
32	154125001	1	内六角扳手 2.5	HEXAGONAL WRENCH, 2.5	
33	142721001	1	内六角扳手 3	HEXAGONAL WRENCH, 3	
34	118064001	1	内六角扳手 4	HEXAGONAL WRENCH, 4	
35	150335001	1	内六角扳手 5	HEXAGONAL WRENCH, 5	
36	S02763502	1	线架组件 2DR	COTTON STAND ASSY, 2DR	
37	S51283001	2	垫圈	SPOOL STAND BASE	
38	150182000	2	线盘软垫	SPOOL MAT	
39	S51282101	2	线轴缓冲架	SPOOL CUSHION	
40	150206002	1	平垫圈 16	WASHER, PLAIN 16	
41	S38648001	1	螺母 U5/8-28	NUT, U5/8-28	
42	150174000	1	线架支撑管套	COLUMN CAP	
43	S01005000	2	橡皮垫圈	RUBBER WASHER	
44	S02747101	1	弹簧	SPRING	
45	150172003	1	线架支撑管	COLUMN PIPE	
46	150174000	1	线架支撑管套	COLUMN CAP	
47	156112003	1	线架撑管 D	COLUMN PIPE, D	
48	150173003	1	撑管夹	COLUMN JOINT	
49	150179002	2	线轴 B	SPOOL SHAFT, B	
50	028050246	2	弹簧垫圈 2-5	WASHER, SPRING 2-5	
51	021500106	2	六角螺母 M5	NUT, 1 M5	
52	S02778002	1	插线架 2	SPOOL HOLDER, 2	
53	S02787002	1	过线架 2	THREAD HANGER, 2	
54	150183000	2	过线管套	THREAD HANGER BASE	
55	142990001	2	过线架上过线管	THREAD BUSH	
56	021500106	4	六角螺母 M5	NUT, 1 M5	
57	S37038001	1	螺钉 M5X14	SCREW, PAN(S/P WASHER) M5X14	
58	S37037001	1	螺钉 M5X32	SCREW, PAN (S/P WASHER) M5X32	
59	062501406	2	螺钉 M5X14	SCREW, PAN M5X14	
60	200190001	7	U形卡钉 10X20	STAPLE, 10X20	

附件表可能有所变动。
The details of included accessories are subject to change.

Z. 附件 / Accessories



Z. 附件 / Accessories

参照号	零部件序号	数量	零部件名称	NAME OF PARTS	RM
61	144226001	1	机头罩	HEAD COVER	
			<用于安装控制箱>	<Setting the control box>	
62	S33006001	4	马达垫片	MOTOR SPACER	
63	133740006	4	螺栓 M6X70	BOLT, SQUARE M6X70	
64	021060106	8	螺母 M6	NUT, 1 M6	
65	025060336	4	平垫圈 L6	WASHER, PLAIN L 6	
			<用于安装电源开关>	<Setting the power switch>	
66	032461606	2	木螺钉 M4.5X16	WOOD SCREW, ROUND 2 M4.5X16	
67	S44483001	1	铰链组件	HINGE ASSY	
68	S44484001	1	护眼板铰链	EYE GUARD HINGE	
69	S44485001	1	护眼板	EYE GUARD	
70	061300816	2	螺钉 M3X8	SCREW, FLAT M3X8	
71	021300106	2	螺母 M3	NUT, 1 M3	
72	026030236	2	垫圈 M3	WASHER, PLAIN M 3	
73	SA4104001	1	护眼板架 A	EYE GUARD HOLDER, A	
74	062300506	2	螺钉 M3X5	SCREW, PAN M3X5	
75	062400616	2	螺钉 M4X6	SCREW, PAN M4X6	
76	026040136	2	平垫圈 S4	WASHER, PLAIN S 4	
77	SA3388001	1	后盖	BACK COVER	
78	062061016	4	螺钉 M6X10	SCREW, PAN M6X10	
79	SA3489001	1	送料板盖	FEED PLATE COVER	
80	153057101	1	螺钉 SM4.37	SCREW, ROUND W/SOCKET SM4.37	
100	148847001	1	垫圈	WASHER, PLAIN	
81	SA2693001	1	润滑脂组件	GREASE UNIT	
82	SA2695001	1	润滑脂注入口	GREASE NOZZLE	
93	S06706001	1	硅油	SILICONE OIL	

附件表可能有所变动。
The details of included accessories are subject to change.

除调整线迹外,机器的调试及维修非专业人员请勿擅自操作。

●Besides adjusting stitch, please do not adjust or maintain.

个别零件进行更改设计时,恕不另行通知。

●Parts are subject to changes without prior notice.

西安标准工业股份有限公司

地址:中国·西安

电话:销售业务:029-83911335 83911339

售后服务:029-83911407

传真:029-83911342 83911111

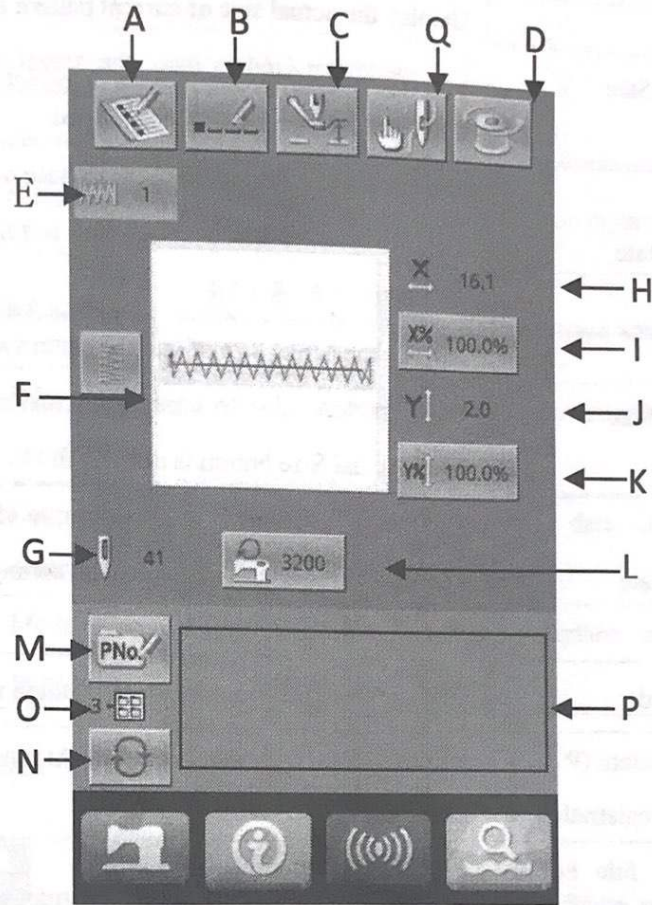
邮编:710612

E-mail:typical@chinatypical.com


Http://www.chinatypical.com

2021.04.13 ①

1. Interface Introduction






Function Key List: :








No.	Function	Content
A	Pattern Registration	At most, 999 normal patterns can be registered.
B	Pattern Naming	At most, 14 figures can be input.
Q	Intermediate Presser	Set the height of presser
C	Threading	Lower the presser to display the interface. Note: different icons for different machine types
D	Winding	Press  to start winding.
E	Pattern No. Display	Display the current pattern number
F	Sewing Pattern Selection	The button will display the shape of the current pattern. Press it to enter the interface for selecting patterns

G	Pattern Stitch Number	Display stitch number of the current pattern
H	X Actual Size	Display the actual size of current pattern at X direction. Use parameter U64 to input the actual size, at this moment the X Actual Size button is displayed.
I	X Scale Rate	The button will display the X scale rate of the current pattern. Press it to enter the interface for setting. It is affected by parameters U64 & U88.
J	Y Actual Size	Display the actual size of current pattern at Y direction. Use parameter U64 to input the actual size, at this moment the Y Actual Size button is displayed.
K	Y Scale Rate	The button will display the Y scale rate of the current pattern. Press it to enter the interface for setting. It is affected by parameters U64 & U88.
L	Max Speed	Display the Max Speed. Press this button to set the speed
M	Prompt Pattern (P Pattern) Registration	It is used for P pattern registration. At most, 50 P patterns can be registered.
O	P Pattern File Folder Number	Display the file folder number of current P pattern
N	P Pattern File Folder Selection	Shift P pattern file folder number orderly.
P	P Pattern Selection	Display the registered P pattern. Press it to enter the interface for inputting P pattern data. This button is not displayed at initial status.


Common Buttons

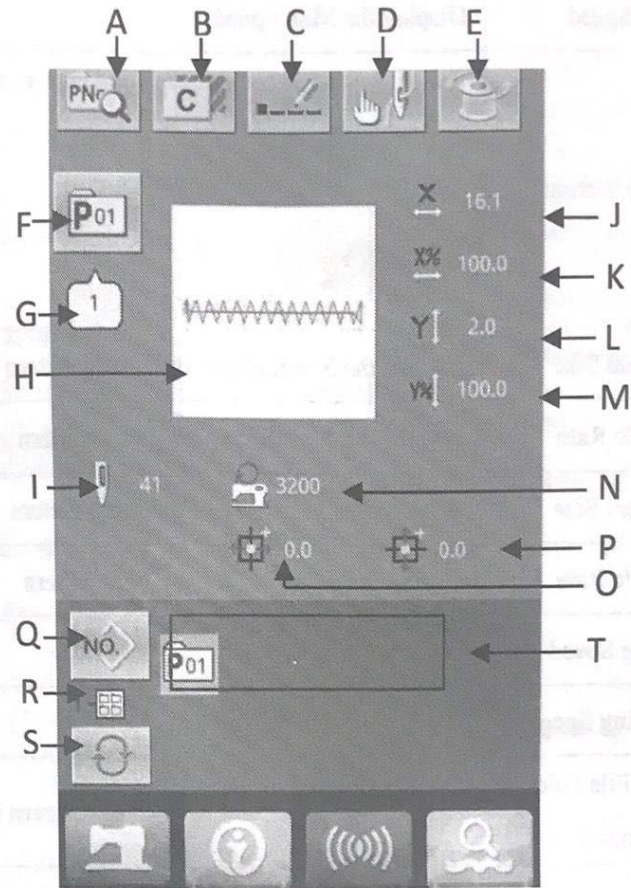
The buttons for the common operation in each interface are shown at below:

No.	Figure	Functions
1		ESC → Quit the current interface. At data change interface, it is for canceling the change of data.
2		Enter → Confirm the changed data.
3		Plus → Increase the value


4		Minus → Decrease the value
5		Reset → Release the Error
6		Number Input → Display the number keyboard and input the number.
7		READY Key → Shift between the data input interface and sewing interface
8		Information Key → Shift between the data input interface and information interface
9		Communication Key → Shift between the data input interface and communication interface
10		Mode Key → Shift between data input interface and detailed setting interfaces.

(2) Sewing Interface

Press  to enter the Sewing Interface shown as the figure at right. For detailed functions please take the Function Key List for reference.



List of Function Keys:

No.	Functions	Content
A	P Pattern Edition	Edit the content of P pattern
B	P Pattern Copy	Copy the content of existing P pattern to an empty pattern number.
C	Pattern Naming	14 figures can be inputted at most.
D	Threading	Presser it to lower the presser.
E	Winding	Wind the thread with a press on 
F	P Pattern Number Display	Display the number of the selected pattern.
G	Sewing Shape Number Display	Display the number of the normal pattern quoted in the existing P pattern.
H	Sewing Shape Selection	Display the sewing shape of the current pattern


No.	Functions	Content
I	Pattern Stitch Number Display	Display the stitch number of the currently selected pattern.
J	X Actual Size Display	Display the X actual size of current pattern
K	X Scale Rate Setting	Display the X scale rate of current pattern
L	Y Actual Size Display	Display the Y actual size of current pattern
M	Y Scale Rate Setting	Display the Y scale rate of current pattern
N	Max Speed Limitation	Display the Max Speed
O	X Travel Amount Display	Display the X travel amount of the currently selected pattern
P	Y Travel Amount Display	Display the Y travel amount of the currently selected pattern
Q	Return to normal pattern interface	Return to data modification interface for normal patterns
R	P Pattern File Folder Display	Display the file folder number of the current P pattern
S	P Pattern File Folder Selection	Shift the file folder number of P pattern in sequence.
T	P Pattern Selection	Display the registered P pattern

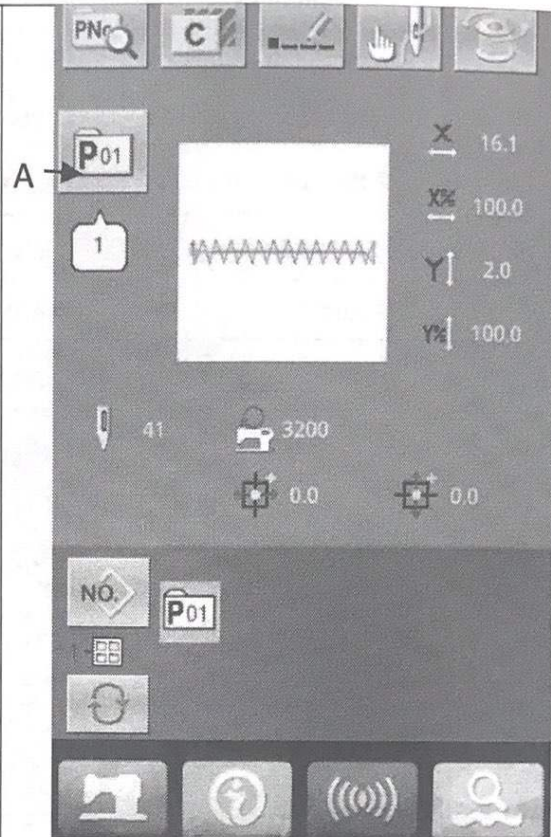
2.2 P Pattern Selection

① Have Access to P Pattern Selection Interface

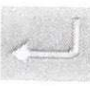
As shown in right picture, user can press Key (A) to have access to P Pattern Selection Interface

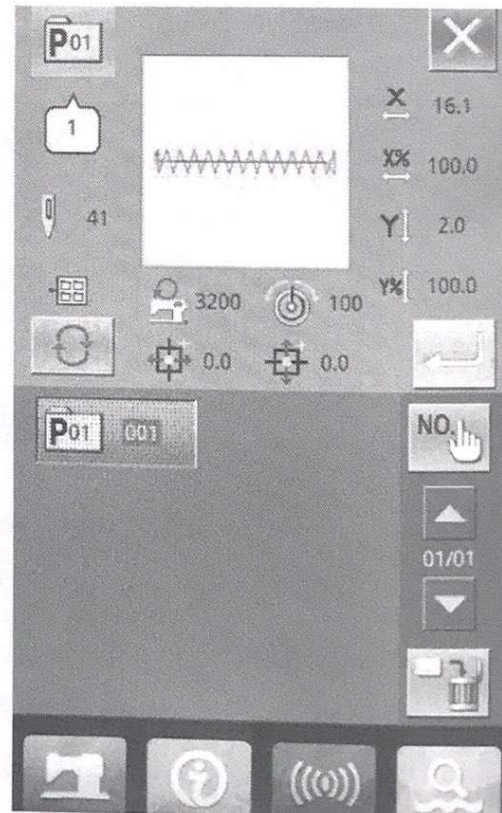
② Select Pattern Number

The relating information of the currently selected pattern is displayed at the upper side of the interface. When user presses  to shift the status of concealing the file folder number, the entire registered P patterns can be displayed.



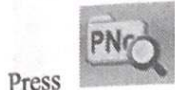
③ Confirm the Selection of Pattern

The operation is same to that of normal pattern selection. Press  to end the selection






2.3 P Pattern Edition

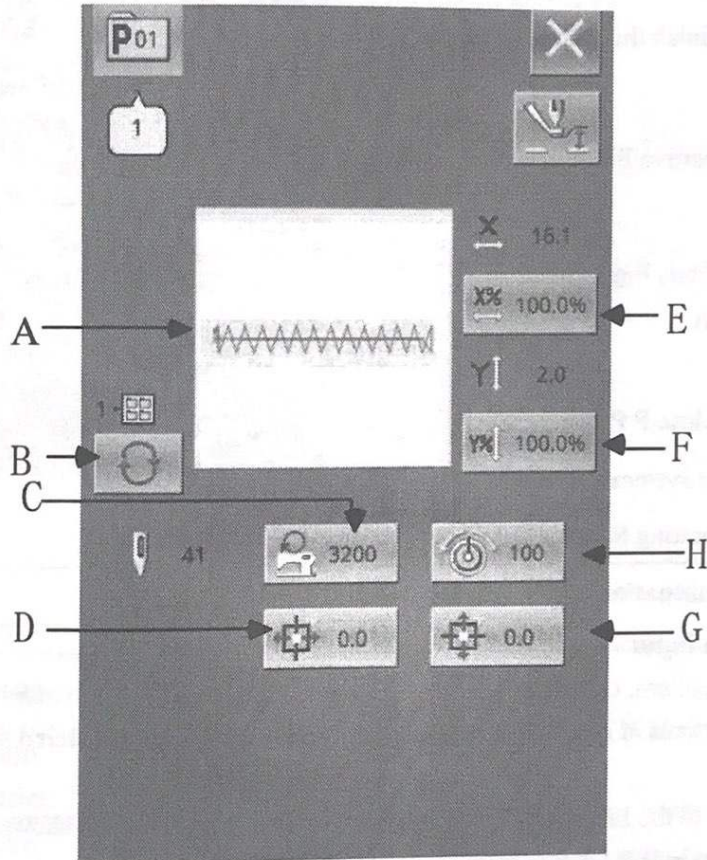
① Have Access to P Pattern Edition Interface



Press  to have access to P Pattern Edition Interface (as shown at the right picture)

② Change the Item Data Select the item for changing and set the value.

Note that the R will display differently according to different machine types, either displayed as  as  or displayed as 



	Item	Range	Default Value
A	Sewing Shape		
B	File folder number of P patterns	1~5	
C	Max Speed Limitation	400~3000rpm	3000rpm
D	X Travel Amount	-30.0~30.0mm	0
E	X Scale Rate	1.0~400.0%	100.0%
F	Y Scale Rate	1.0~400.0%	100.0%
G	Y Travel Amount	-30.0~30.0mm	0

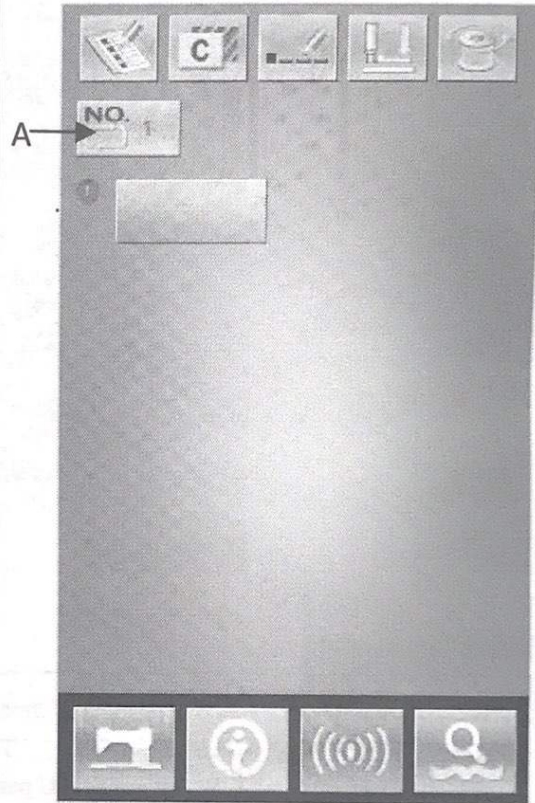
No.	Function	Contents
H	Sub-pattern selection	Press to enter P pattern selection interface where user can select the needed P pattern.
I	Page	30 C patterns can be registered at most, and 6 C patterns can be displayed on each page at most.

3.2 C Pattern Edition

①Have Access to C Pattern Edition Interface


At Interface of C Pattern Data Input, user can press A to have access to C Pattern Edition Interface.

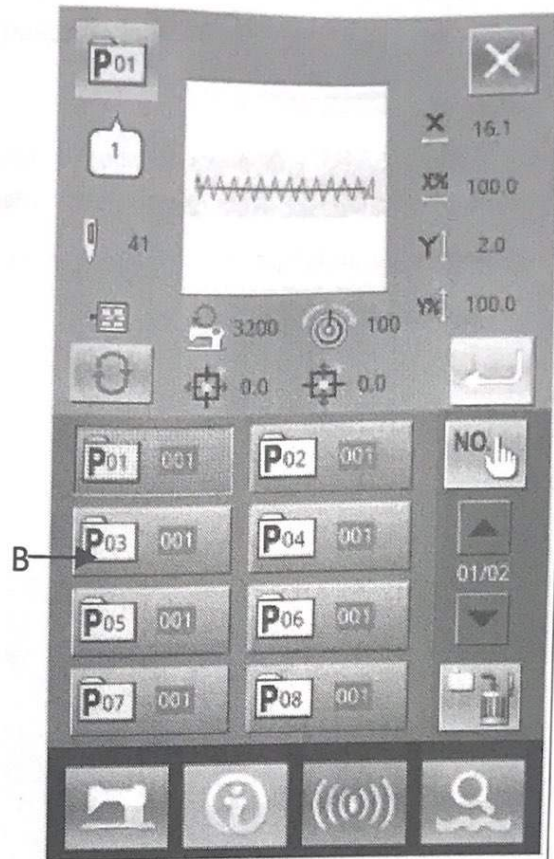
In initial status, because no sewing shape is registered to P pattern, the first one is displayed as blank



② Select Shape

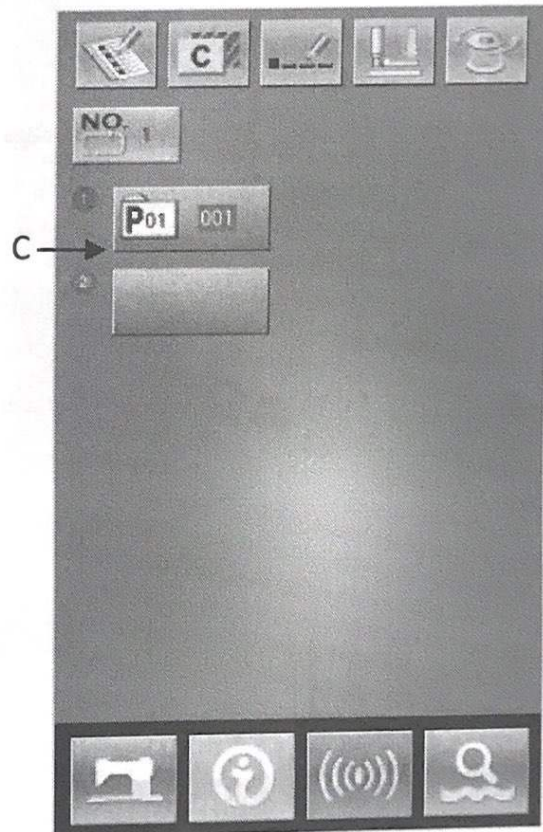
At C Pattern Edition Interface (the right figure), user can select the P Pattern (B)

for registration and then press  to finish the selection.



③ Repeat the Registration

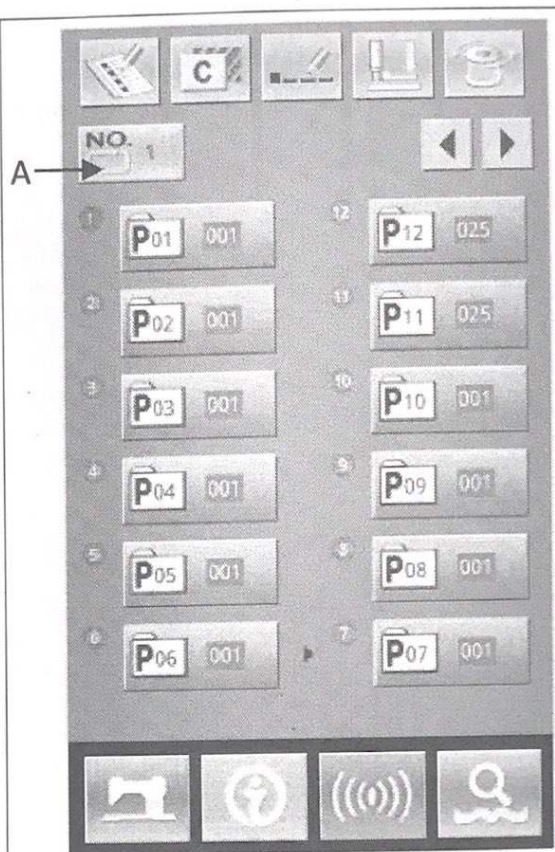
When the 1st pattern is registered, the Selection Key (C) for the 2nd pattern is displayed. Repeat the operations at above so as to register other patterns.



3.3 C Pattern Selection


① Have Access to C Pattern Selection Interface

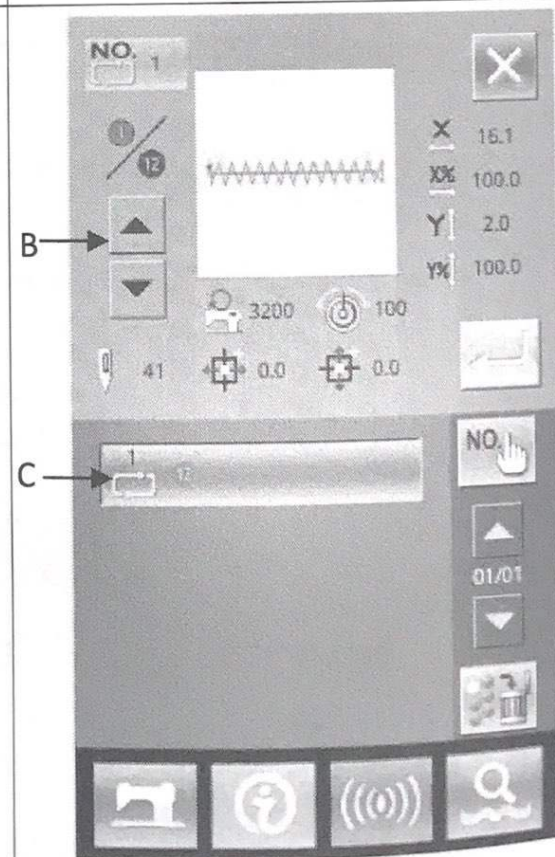
As shown on the right picture, user can have access to C Pattern Selection Interface by pressing Figure A.



② Select C Pattern Number


At C Pattern Selection Interface (the right figure), user can press B to change the data information of P patterns within the current C pattern in sequence.

Confirm the number of the needed C pattern (C), and then press  to finish selection



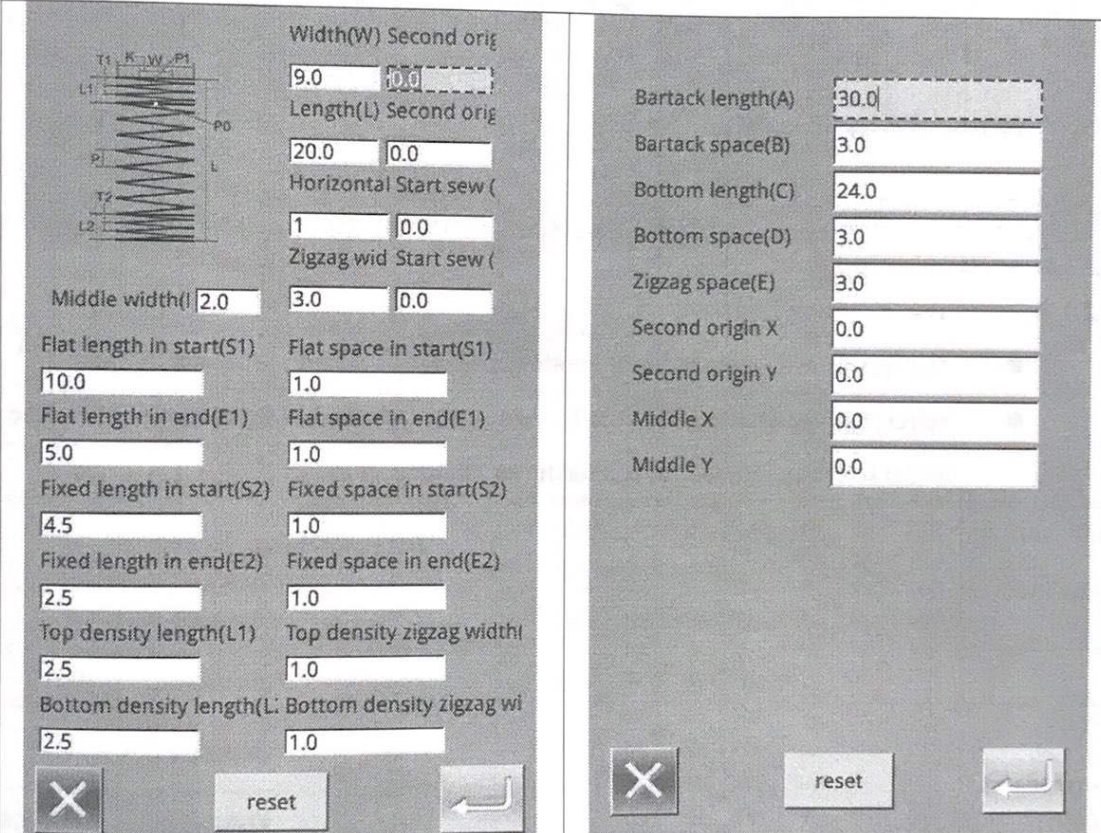
4 Model Input

4.1 Setting of Model Input Function

Press  to enter the interface for setting the model input. In the default setting, the displayed interface is the linear knotting input interface.

The model input function is easy for user to edit the knotting pattern. The system contains four model input methods, which are:

- Rubber
- Bartack
- Hole
- Rectangle



Width(W) Second orig	9.0	10.0	
Length(L) Second orig	20.0	0.0	
Horizontal Start sew (1	0.0	
Zigzag wid Start sew (3.0	0.0	
Middle width()	2.0		
Flat length in start(S1)	10.0	Flat space in start(S1)	1.0
Flat length in end(E1)	5.0	Flat space in end(E1)	1.0
Fixed length in start(S2)	4.5	Fixed space in start(S2)	1.0
Fixed length in end(E2)	2.5	Fixed space in end(E2)	1.0
Top density length(L1)	2.5	Top density zigzag width	1.0
Bottom density length(L)	2.5	Bottom density zigzag wi	1.0
Bartack length(A)	30.0		
Bartack space(B)	3.0		
Bottom length(C)	24.0		
Bottom space(D)	3.0		
Zigzag space(E)	3.0		
Second origin X	0.0		
Second origin Y	0.0		
Middle X	0.0		
Middle Y	0.0		

Circle diameter(D)	<input type="text" value="10.0"/>	Rectangle length(A)	<input type="text" value="10.0"/>
Circle stitch(D)	<input type="text" value="20"/>	Rectangle width(B)	<input type="text" value="8.0"/>
Outside diameter(A)	<input type="text" value="15.0"/>	Rectangle space(C)	<input type="text" value="3.0"/>
Inside diameter(B)	<input type="text" value="8.0"/>	Fixed stitch(D)	<input type="text" value="2"/>
Hole stitch(C)	<input type="text" value="60"/>	Second origin X	<input type="text" value="0.0"/>
Cycle number	<input type="text" value="1"/>	Second origin Y	<input type="text" value="0.0"/>
Second origin X	<input type="text" value="0.0"/>	Start sew X	<input type="text" value="0.0"/>
Second origin Y	<input type="text" value="0.0"/>	Start sew Y	<input type="text" value="0.0"/>
Middle X	<input type="text" value="0.0"/>		
Middle Y	<input type="text" value="0.0"/>		
Bottom times	<input type="text" value="1"/>		
Chrysanthemum eye	<input type="text" value="0"/>		
<input type="button" value="X"/> <input type="button" value="reset"/> <input type="button" value="↩"/>		<input type="button" value="X"/> <input type="button" value="reset"/> <input type="button" value="↩"/>	

4.2 Linear Knotting Input

4.2.1 Select Linear Knotting Function

- The system will enter the linear knotting interface as default, as shown in figure 1.
- Select “Linear Knotting” in area C, then select “Model 1 (Linear Knotting)” in the model selection interface to edit the linear knotting

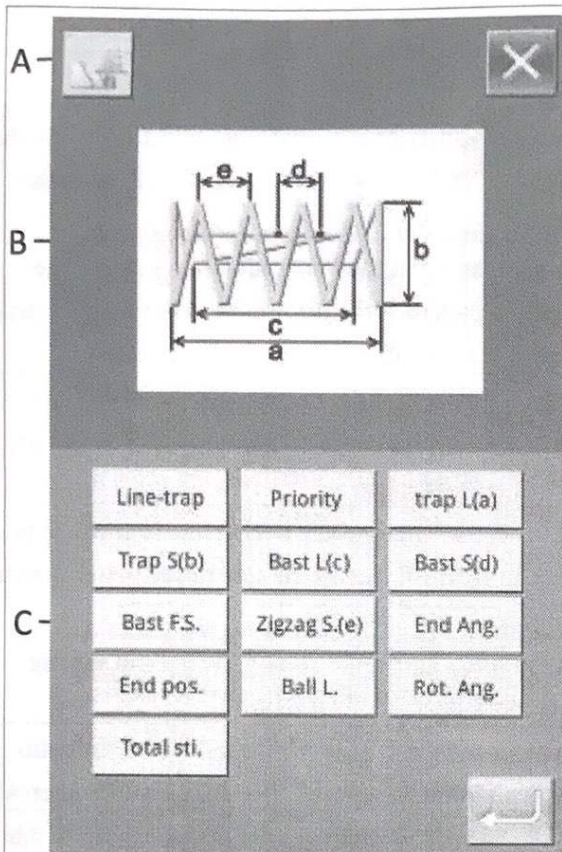


Figure 1

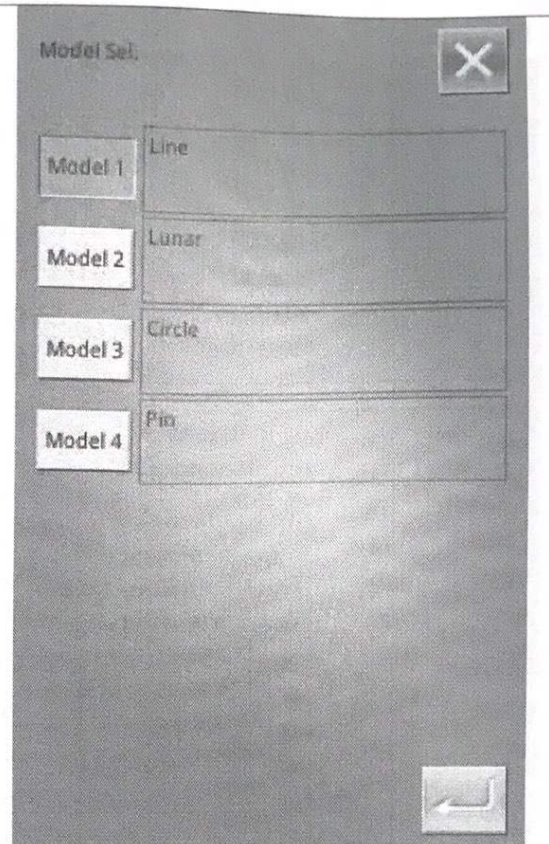


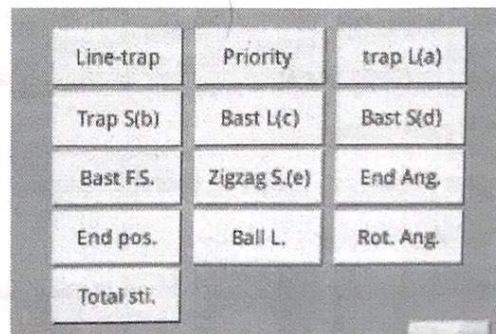
Figure 2

Function List:

Button	Function	Content
A	Knotting Shape Preview	Preview the shape
B	Knotting Shape Figure	Display the shape of the knotting and the parameter position
C	Parameter Setting	Set the parameters of the knotting shape
D	Quit	Quit the model input function
E	Confirm	Save the edited knotting pattern

4.2.2 Parameter Setting

In the area C at the knotting model edition interface, the system provides the area for inputting the parameters of the linear knotting, which is used to control the shape created.



Parameters:		
No.	Parameter	Remarks
1	Priority Mode	By setting "Priority Mode", user can select to ensure the stitch interval or the total stitch number at creating the patterns.
2	KnottingLength	Set the total length of the linear knotting pattern. The length of the pattern is the distance a in the figure 1, which determines the size of the pattern in X direction.
3	Knotting Stitch Interval	It is to set the height of the pattern. The height of the pattern is the distance b in the figure 1, which is the size of the pattern in Y direction.
4	Bottom Sewing Length	This is to set the length of the bottom sewing, which is the distance c in figure 1. This is the size of the bottom sewing in X direction.
5	Bottom Sewing Stitch Interval	This is the stitch interval at setting the bottom sewing, which is the distance d in the figure 1.
6	Bottom Sewing 1 st Stitch Interval	This is to set the stitch interval of the 1 st stitch in bottom sewing, which can be different from other stitch interval.
7	Zigzag Stitch Interval	This is the horizontal stitch interval in the zigzag within the knotting pattern, which is the distance e in the figure 1.
8	Stitch Angle at End Sewing	The stitch angle at the end sewing.
9	Withdrawing Stitch Position	At setting the last stitch, this parameter determines the needle entry point is at either side or the center line in Y direction.
10	Lock Stitch Length	Set the length of the last stitch.
11	Rotation Angle	Set the rotating angle of the pattern, which can be set among 0, 90, 180 and 270.
12	Total Stitch Number	Set the total stitch number of the knotting pattern. This value will be effective when the Priority Mode is set at "Stitch Number", this value will be effective, or it will be invalid.


5. Communication Function

At Communication, user can perform the following functions:

- Import patterns designed on other sewing machine or by pattern-designing software to the sewing machine
- Import patterns to U disk or operation panel
- Recover parameters by U disk
- Export parameters set in the operation panel to U disk
- Upgrade operation panel software

5.1 Operations

- ④ Display the Communication Interface


In the data input interface, press  to display the communication interface

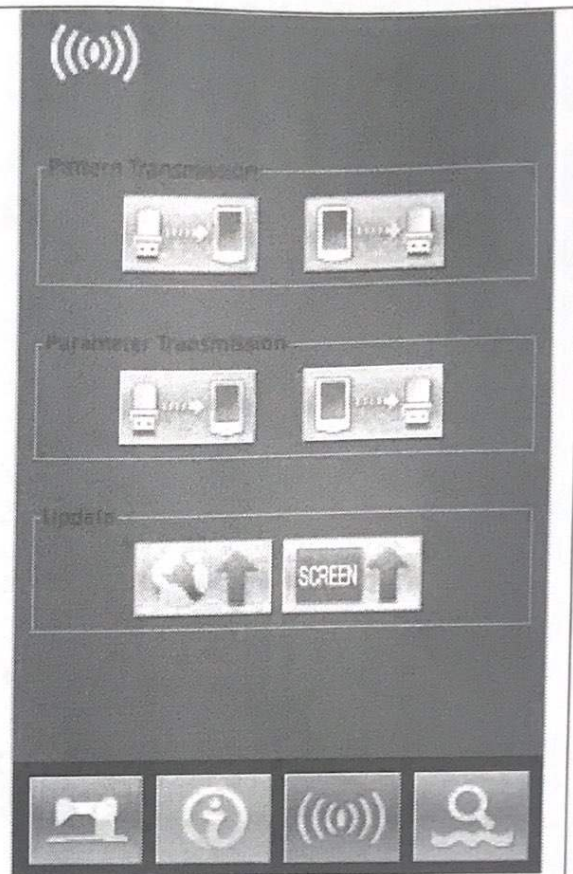
- ⑤ Select the relating operations

The following three kinds of functions can be selected in this interface:


- Pattern Transfer
- Parameter Transfer
- Software Update


Click the corresponding figure to perform the operations.

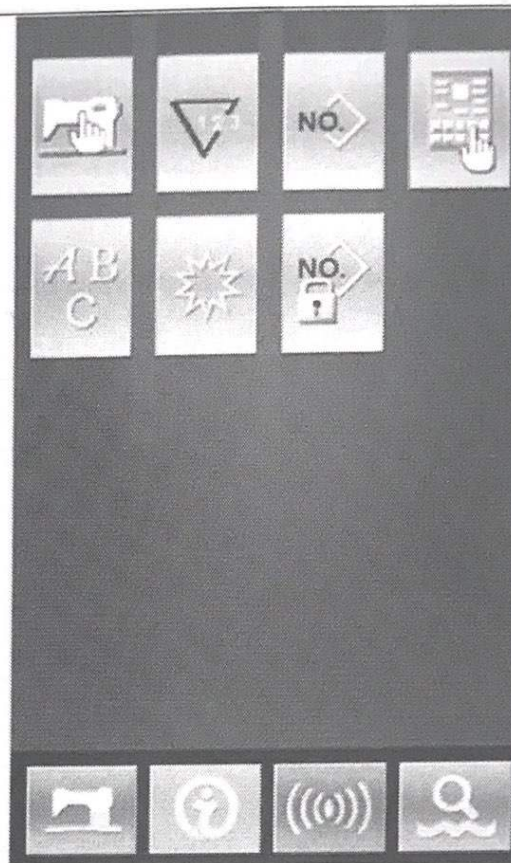
- ⑥ Press  to quit the Communication



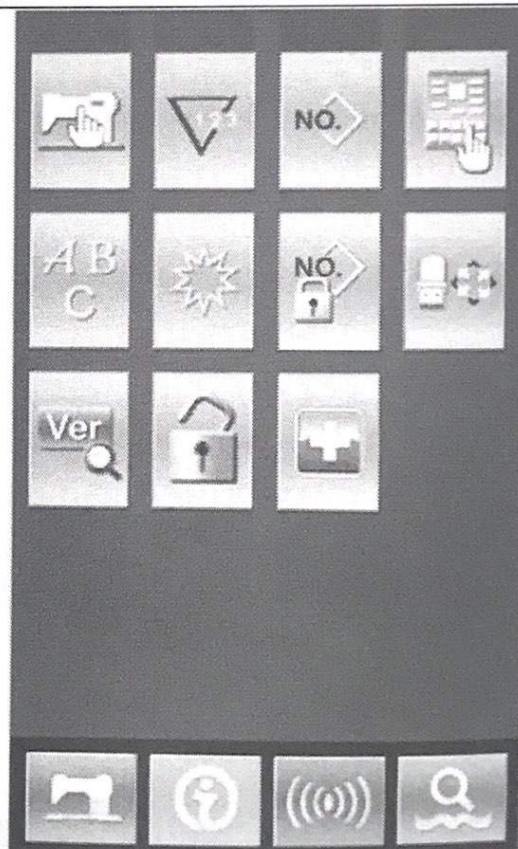
6. Mode and Parameter Setting

Press  to shift from the Data Input Interface to the Mode Interface (as shown in right figure), where user can perform some detailed settings and editions.

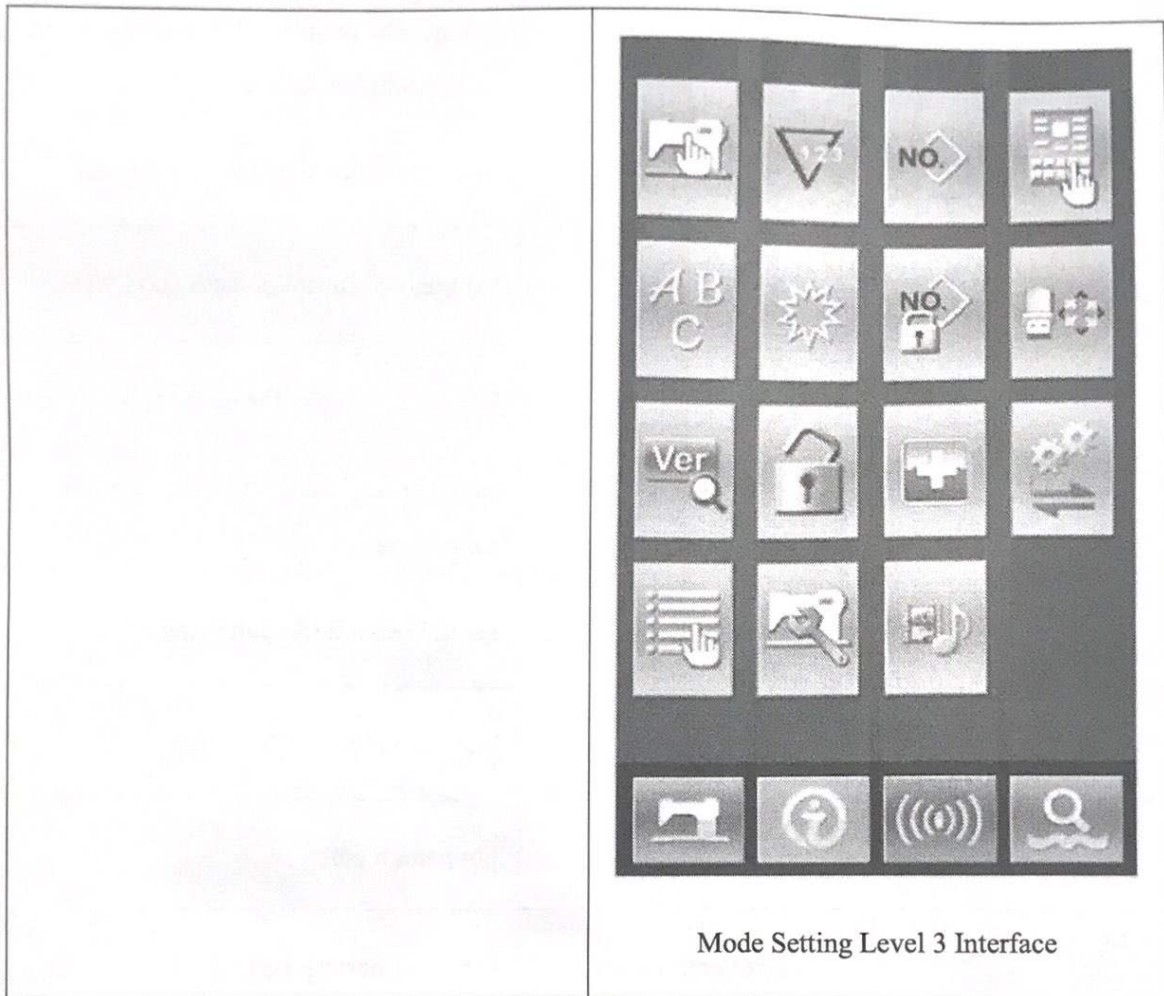
Hold  for 3 seconds to have access to Mode Setting Level 2 Interface; hold for 6 seconds to have access to Mode Setting Level 3 Interface.



Mode Setting Level 1 Interface












Mode Setting Level 2 Interface



Mode Setting Level 3 Interface

6.1 List of Function Keys

No.	Figure	Functions	Content
1		Level 1 Parameters Setting	Set the Level 1 (U) parameters
2		Counter Setting	Set the type of counter, counting value and default value
3		Sewing Type Setting	Shift between normal pattern sewing and combination pattern sewing
4		Pattern Lock	Enter the interface for locking pattern
5		Pattern Edition	Have access to pattern edition status
6		U Disk Initialization	Initialize the U disk.

7		Software Version Inquiry	Inquire the versions of the current panel, main controller and motor
8		Keyboard Lock	Lock some functions that can be set.
9		Test Mode	Set the mechanical devices and LCD
10		Parameter Back-up	Backup or recover the current parameters
11		Activate Parameter Edition	Activate or deactivate the edition of parameters
12		Level 2 Parameters Setting	Set the Level 2 (K) parameters
13		Play Video	Play the video
14		Pattern template	For pattern edit
15		Letter embroidery	For letter pattern edit



100% Recycled Paper
100% 循环再造纸